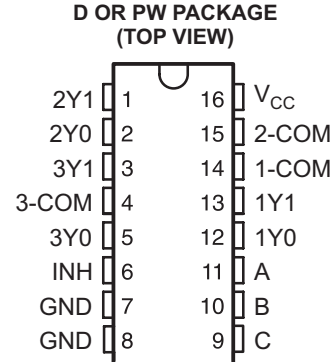


## TRIPLE 2-CHANNEL ANALOG MULTIPLEXER/DEMULTIPLEXER

Check for Samples: [SN74LV4053A-Q1](#)

### FEATURES

- Qualified for Automotive Applications
- ESD Protection Exceeds 2000 V Per MIL-STD-883, Method 3015; Exceeds 200 V Using Machine Model (C = 200 pF, R = 0)
- 2-V to 5.5-V  $V_{CC}$  Operation
- Supports Mixed-Mode Voltage Operation on All Ports
- High On-Off Output-Voltage Ratio
- Low Crosstalk Between Switches
- Individual Switch Controls
- Extremely Low Input Current



### DESCRIPTION

This triple 2-channel CMOS analog multiplexer/demultiplexer is designed for 2-V to 5.5-V  $V_{CC}$  operation.

The SN74LV4053A handles both analog and digital signals. Each channel permits signals with amplitudes up to 5.5 V (peak) to be transmitted in either direction.

Applications include signal gating, chopping, modulation or demodulation (modem), and signal multiplexing for analog-to-digital and digital-to-analog conversion systems.

### ORDERING INFORMATION<sup>(1)</sup>

$T_A$	PACKAGE <sup>(2)</sup>		ORDERABLE PART NUMBER	TOP-SIDE MARKING
-40°C to 105°C	SOIC – D	Tape and reel	SN74LV4053ATDRQ1	L4053AQ
	TSSOP – PW	Tape and reel	SN74LV4053ATPWRQ1	L4053AQ
-40°C to 125°C	TSSOP – PW	Tape and reel	SN74LV4053AQPWRQ1	4053AQ1

- (1) For the most current package and ordering information, see the Package Option Addendum at the end of this document, or see the TI web site at [www.ti.com](http://www.ti.com).
- (2) Package drawings, thermal data, and symbolization are available at [www.ti.com/packaging](http://www.ti.com/packaging).

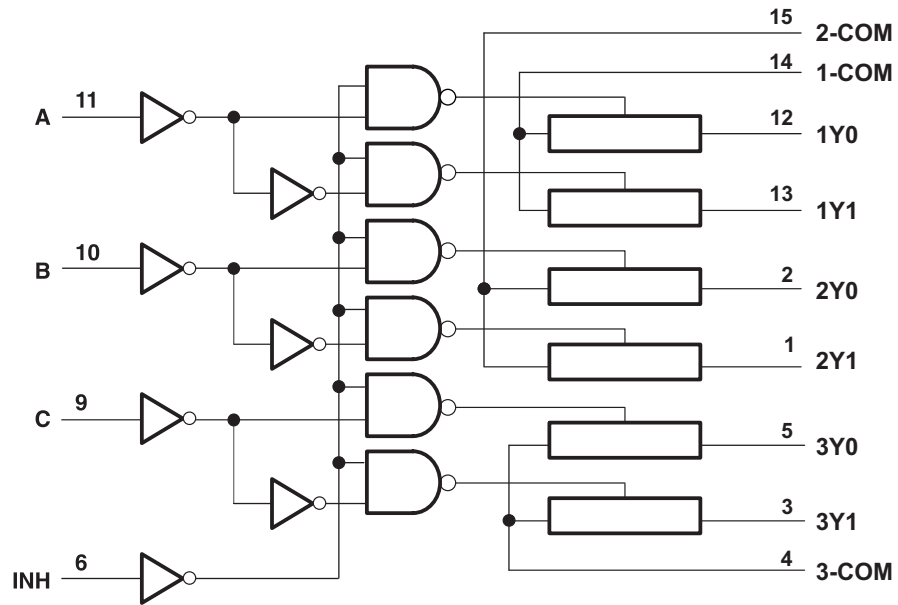
### FUNCTION TABLE

INPUTS				ON CHANNEL
INH	C	B	A	
L	L	L	L	1Y0, 2Y0, 3Y0
L	L	L	H	1Y1, 2Y0, 3Y0
L	L	H	L	1Y0, 2Y1, 3Y0
L	L	H	H	1Y1, 2Y1, 3Y0
L	H	L	L	1Y0, 2Y0, 3Y1
L	H	L	H	1Y1, 2Y0, 3Y1
L	H	H	L	1Y0, 2Y1, 3Y1
L	H	H	H	1Y1, 2Y1, 3Y1
H	X	X	X	None



Please be aware that an important notice concerning availability, standard warranty, and use in critical applications of Texas Instruments semiconductor products and disclaimers thereto appears at the end of this data sheet.

**LOGIC DIAGRAM (POSITIVE LOGIC)**



**ABSOLUTE MAXIMUM RATINGS<sup>(1)</sup>**

over operating free-air temperature range (unless otherwise noted)

$V_{CC}$	Supply voltage range		–0.5 V to 7 V
$V_I$	Input voltage range <sup>(2)</sup>		–0.5 V to 7 V
$V_{IO}$	Switch I/O voltage range <sup>(2) (3)</sup>		–0.5 V to $V_{CC} + 0.5$ V
$I_{IK}$	Input clamp current	$V_I < 0$	–20 mA
$I_{IOK}$	I/O diode current	$V_{IO} < 0$	–50 mA
$I_T$	Switch through current	$V_{IO} = 0$ to $V_{CC}$	±25 mA
	Continuous current through $V_{CC}$ or GND		±50 mA
$\theta_{JA}$	Package thermal impedance <sup>(4)</sup>	D package	73°C/W
		PW package	108°C/W
$T_{stg}$	Storage temperature range		–65°C to 150°C

- (1) Stresses beyond those listed under *absolute maximum ratings* may cause permanent damage to the device. These are stress ratings only, and functional operation of the device at these or any other conditions beyond those indicated under *recommended operating conditions* is not implied. Exposure to absolute-maximum-rated conditions for extended periods may affect device reliability.
- (2) The input and output negative-voltage ratings may be exceeded if the input and output current ratings are observed.
- (3) This value is limited to 5.5 V maximum.
- (4) The package thermal impedance is calculated in accordance with JESD 51-7.

**RECOMMENDED OPERATING CONDITIONS<sup>(1)</sup>**

			MIN	MAX	UNIT
$V_{CC}$	Supply voltage		2 <sup>(2)</sup>	5.5	V
$V_{IH}$	High-level input voltage, control inputs	$V_{CC} = 2$ V	1.5		V
		$V_{CC} = 2.3$ V to 2.7 V	$V_{CC} \times 0.7$		
		$V_{CC} = 3$ V to 3.6 V	$V_{CC} \times 0.7$		
		$V_{CC} = 4.5$ V to 5.5 V	$V_{CC} \times 0.7$		
$V_{IL}$	Low-level input voltage, control inputs	$V_{CC} = 2$ V		0.5	V
		$V_{CC} = 2.3$ V to 2.7 V		$V_{CC} \times 0.3$	
		$V_{CC} = 3$ V to 3.6 V		$V_{CC} \times 0.3$	
		$V_{CC} = 4.5$ V to 5.5 V		$V_{CC} \times 0.3$	
$V_I$	Control input voltage		0	5.5	V
$V_{IO}$	Input/output voltage		0	$V_{CC}$	V
$\Delta t/\Delta v$	Input transition rise or fall rate	$V_{CC} = 2.3$ V to 2.7 V		200	ns/V
		$V_{CC} = 3$ V to 3.6 V		100	
		$V_{CC} = 4.5$ V to 5.5 V		20	
$T_A$	Operating free-air temperature	SN74LV4053ATDRQ1, SN74LV4053ATPWRQ1	–40	105	°C
$T_A$	Operating free-air temperature	SN74LV4053AQPWRQ1	–40	125	

- (1) All unused inputs of the device must be held at  $V_{CC}$  or GND to ensure proper device operation. Refer to the TI application report, *Implications of Slow or Floating CMOS Inputs*, literature number [SCBA004](#).
- (2) With supply voltages at or near 2 V, the analog switch on-state resistance becomes very nonlinear. It is recommended that only digital signals be transmitted at these low supply voltages.

## ELECTRICAL CHARACTERISTICS

over recommended operating free-air temperature range (unless otherwise noted)

PARAMETER	TEST CONDITIONS	V <sub>CC</sub>	T <sub>A</sub> = 25°C			T <sub>A</sub> = -40 to 105°C		T <sub>A</sub> = -40 to 125°C		UNIT	
			MIN	TYP	MAX	MIN	MAX	MIN	MAX		
r <sub>on</sub> On-state switch resistance	I <sub>T</sub> = 2 mA, V <sub>I</sub> = V <sub>CC</sub> or GND, V <sub>INH</sub> = V <sub>IL</sub> (see Figure 1)	2.3 V		41	180		225		225	Ω	
		3 V		30	150		190		190		
		4.5 V		23	75		100		100		
r <sub>on(p)</sub> Peak on-state resistance	I <sub>T</sub> = 2 mA, V <sub>I</sub> = V <sub>CC</sub> or GND, V <sub>INH</sub> = V <sub>IL</sub>	2.3 V		139	500		600		600	Ω	
		3 V		63	180		225		225		
		4.5 V		35	100		125		125		
Δr <sub>on</sub> Difference in on-state resistance between switch	I <sub>T</sub> = 2 mA, V <sub>I</sub> = V <sub>CC</sub> or GND, V <sub>INH</sub> = V <sub>IL</sub>	2.3 V		2	30		40		40	Ω	
		3 V		1.6	20		30		30		
		4.5 V		1.3	15		20		20		
I <sub>I</sub> Control input current	V <sub>I</sub> = 5.5 V or GND	0 V to 5.5 V				±0.1		±1		±2	μA
I <sub>S(off)</sub> Off-state switch leakage current	V <sub>I</sub> = V <sub>CC</sub> and V <sub>O</sub> = GND, or V <sub>I</sub> = GND and V <sub>O</sub> = V <sub>CC</sub> , V <sub>INH</sub> = V <sub>IH</sub> (see Figure 2)	5.5 V				±0.1		±1		±2	μA
I <sub>S(on)</sub> On-state switch leakage current	V <sub>I</sub> = V <sub>CC</sub> or GND, V <sub>INH</sub> = V <sub>IL</sub> (see Figure 3)	5.5 V				±0.1		±1		±2	μA
I <sub>CC</sub> Supply current	V <sub>I</sub> = V <sub>CC</sub> or GND	5.5 V						20		40	μA
C <sub>IC</sub> Control input capacitance	f = 10 MHz	3.3 V				2					pF
C <sub>IS</sub> Common terminal capacitance		3.3 V				8.2					pF
C <sub>OS</sub> Switch terminal capacitance		3.3 V				5.6					pF
C <sub>F</sub> Feedthrough capacitance						0.5					pF

## SWITCHING CHARACTERISTICS

V<sub>CC</sub> = 3.3 V ± 0.3 V, over recommended operating free-air temperature range (unless otherwise noted)

PARAMETER	FROM (INPUT)	TO (OUTPUT)	TEST CONDITIONS	T <sub>A</sub> = 25°C			T <sub>A</sub> = -40 to 105°C		T <sub>A</sub> = -40 to 125°C		UNIT
				MIN	TYP	MAX	MIN	MAX	MIN	MAX	
t <sub>PLH</sub> Propagation delay time t <sub>PHL</sub>	COM or Y <sub>n</sub>	Y <sub>n</sub> or COM	C <sub>L</sub> = 50 pF (see Figure 4)		2.9	9		12		14	ns
t <sub>PZH</sub> Enable delay time t <sub>PZL</sub>	INH	COM or Y <sub>n</sub>	C <sub>L</sub> = 50 pF (see Figure 5)		6.1	20		25		25	ns
t <sub>PHZ</sub> Disable delay time t <sub>PLZ</sub>	INH	COM or Y <sub>n</sub>	C <sub>L</sub> = 50 pF (see Figure 5)		8.9	20		25		25	ns

## SWITCHING CHARACTERISTICS

 $V_{CC} = 5\text{ V} \pm 0.5\text{ V}$ , over recommended operating free-air temperature range (unless otherwise noted)

PARAMETER	FROM (INPUT)	TO (OUTPUT)	TEST CONDITIONS	$T_A = 25^\circ\text{C}$			$T_A = -40\text{ to }105^\circ\text{C}$		$T_A = -40\text{ to }125^\circ\text{C}$		UNIT
				MIN	TYP	MAX	MIN	MAX	MIN	MAX	
$t_{PLH}$ Propagation delay time $t_{PZH}$	COM or Yn	Yn or COM	$C_L = 50\text{ pF}$ (see Figure 4)		1.8	6		8		10	ns
$t_{PZH}$ Enable delay time $t_{PZL}$	INH	COM or Yn	$C_L = 50\text{ pF}$ (see Figure 5)		4.3	14		18		18	ns
$t_{PHZ}$ Disable delay time $t_{PLZ}$	INH	COM or Yn	$C_L = 50\text{ pF}$ (see Figure 5)		6.3	14		18		18	ns

## ANALOG SWITCH CHARACTERISTICS

over recommended operating free-air temperature range (unless otherwise noted)

PARAMETER	FROM (INPUT)	TO (OUTPUT)	TEST CONDITIONS	$V_{CC}$	$T_A = 25^\circ\text{C}$			UNIT
					MIN	TYP	MAX	
Frequency response (switch on)	COM or Yn	Yn or COM	$C_L = 50\text{ pF}$ , $R_L = 600\ \Omega$ , $f_{in} = 1\text{ MHz}$ (sine wave) <sup>(1)</sup> (see Figure 6)	2.3 V		30	MHz	
				3 V		35		
				4.5 V		50		
Crosstalk (between any switches)	COM or Yn	Yn or COM	$C_L = 50\text{ pF}$ , $R_L = 600\ \Omega$ , $f_{in} = 1\text{ MHz}$ (sine wave) (see Figure 7)	2.3 V		-45	dB	
				3 V		-45		
				4.5 V		-45		
Crosstalk (control input to signal output)	INH	COM or Yn	$C_L = 50\text{ pF}$ , $R_L = 600\ \Omega$ , $f_{in} = 1\text{ MHz}$ (square wave) (see Figure 8)	2.3 V		20	mV	
				3 V		35		
				4.5 V		65		
Feedthrough attenuation (switch off)	COM or Yn	Yn or COM	$C_L = 50\text{ pF}$ , $R_L = 600\ \Omega$ , $f_{in} = 1\text{ MHz}$ <sup>(2)</sup> (see Figure 9)	2.3 V		-45	dB	
				3 V		-45		
				4.5 V		-45		
Sine-wave distortion	COM or Yn	Yn or COM	$C_L = 50\text{ pF}$ , $R_L = 10\text{ k}\Omega$ , $f_{in} = 1\text{ kHz}$ (sine wave) (see Figure 10)	$V_I = 2\text{ Vp-p}$	2.3 V	0.1	%	
				$V_I = 2.5\text{ Vp-p}$	3 V	0.1		
				$V_I = 4\text{ Vp-p}$	4.5 V	0.1		

(1) Adjust  $f_{in}$  voltage to obtain 0-dBm output. Increase  $f_{in}$  frequency until dB meter reads -3 dB.

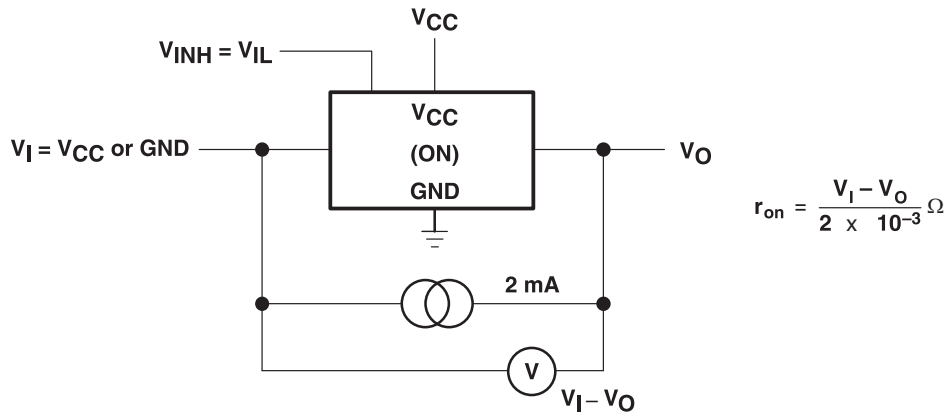
(2) Adjust  $f_{in}$  voltage to obtain 0-dBm input.

## OPERATING CHARACTERISTICS

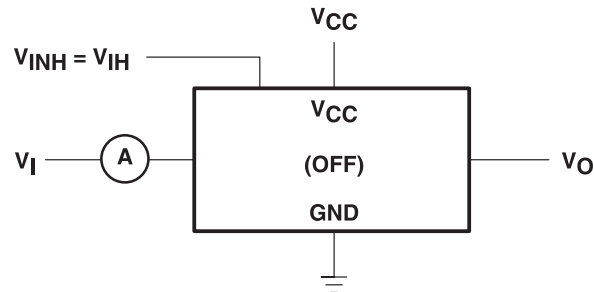
 $V_{CC} = 3.3\text{ V}$ ,  $T_A = 25^\circ\text{C}$  (unless otherwise noted)

PARAMETER	TEST CONDITIONS	TYP	UNIT
$C_{pd}$ Power dissipation capacitance	$C_L = 50\text{ pF}$ , $f = 10\text{ MHz}$	5.3	pF

**PARAMETER MEASUREMENT INFORMATION**

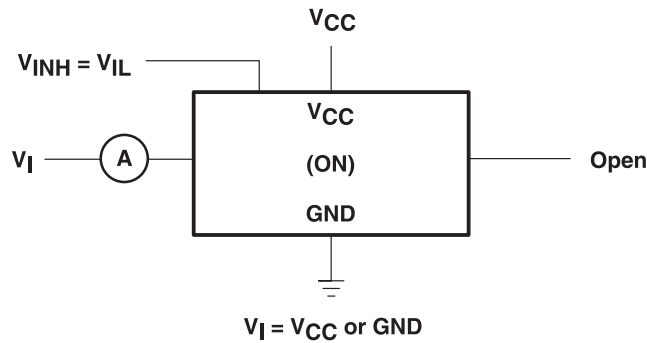


**Figure 1. On-State Resistance Test Circuit**

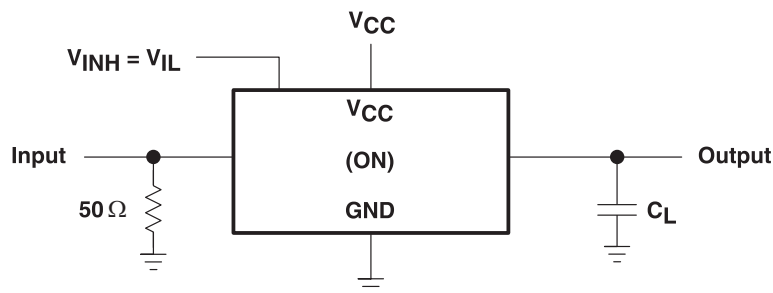


Condition 1:  $V_I = 0, V_O = V_{CC}$   
 Condition 2:  $V_I = V_{CC}, V_O = 0$

**Figure 2. Off-State Switch Leakage-Current Test Circuit**

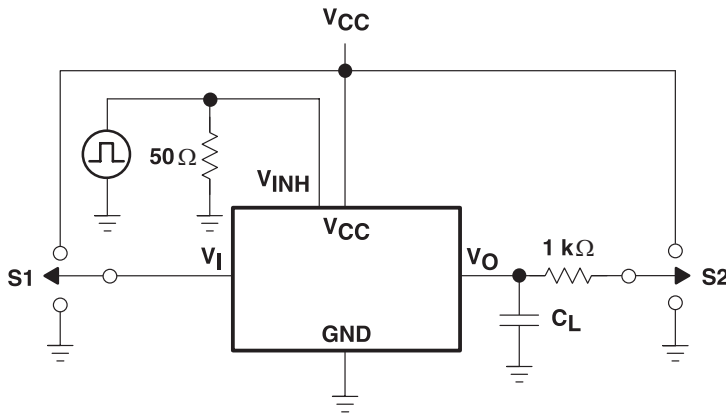


**Figure 3. On-State Switch Leakage-Current Test Circuit**



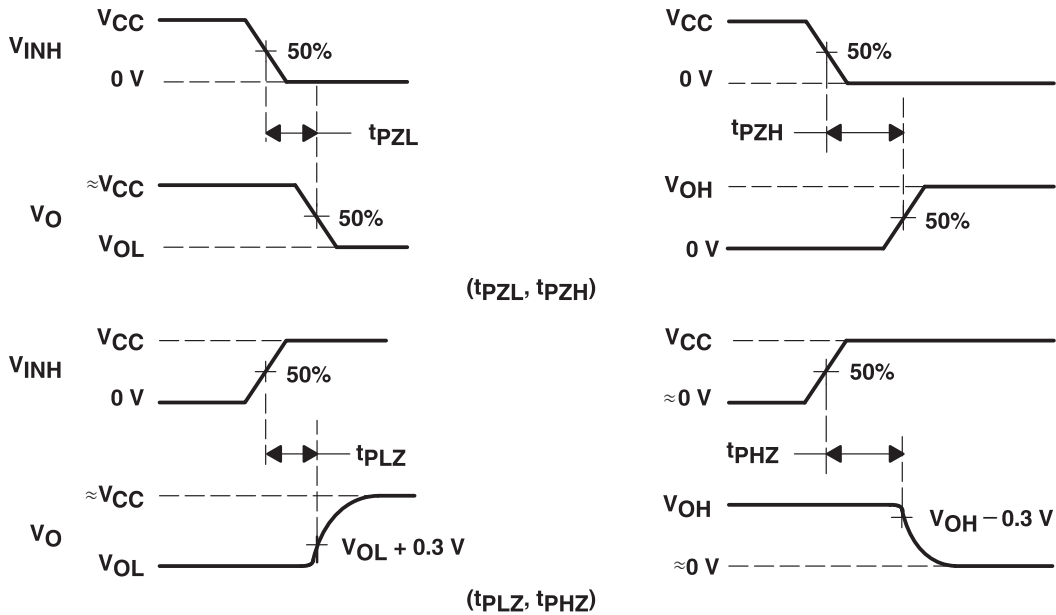
**Figure 4. Propagation Delay Time, Signal Input to Signal Output**

PARAMETER MEASUREMENT INFORMATION (continued)



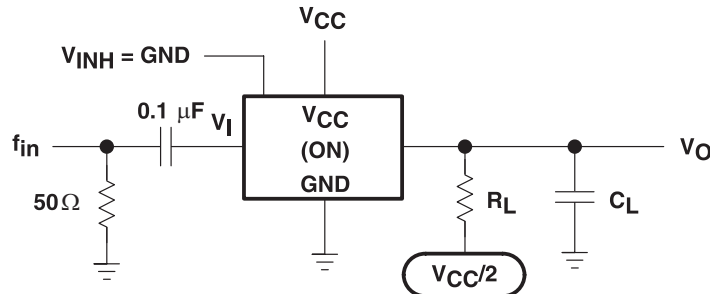
TEST	S1	S2
$t_{PLZ}/t_{PZL}$	GND	$V_{CC}$
$t_{PHZ}/t_{PZH}$	$V_{CC}$	GND

TEST CIRCUIT



VOLTAGE WAVEFORMS

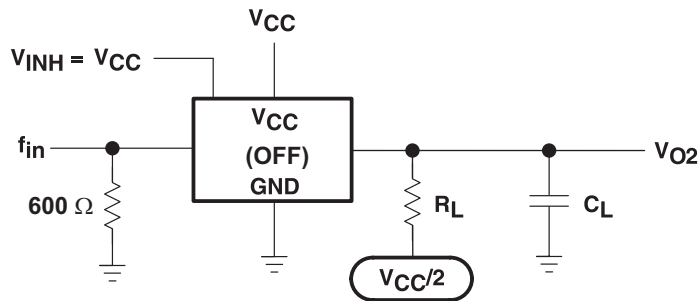
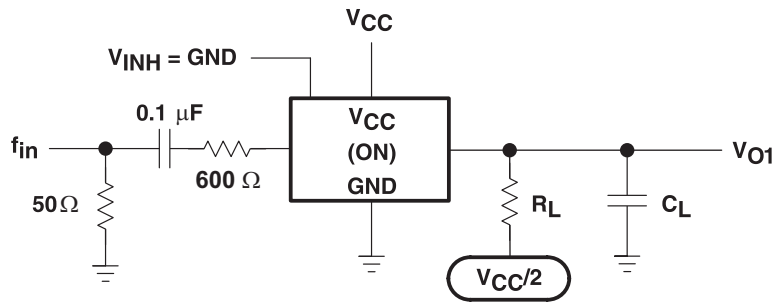
Figure 5. Switching Time ( $t_{PZL}$ ,  $t_{PLZ}$ ,  $t_{PZH}$ ,  $t_{PHZ}$ ), Control to Signal Output



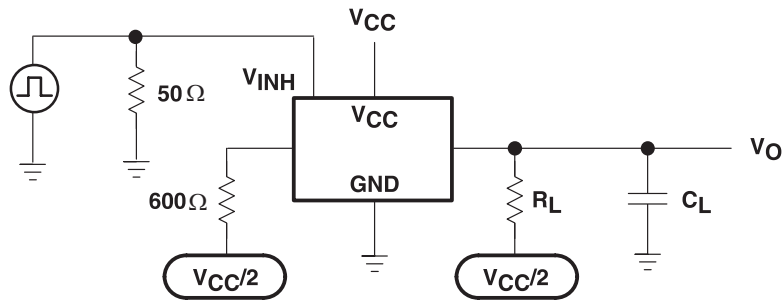
NOTE A:  $f_{in}$  is a sine wave.

Figure 6. Frequency Response (Switch On)

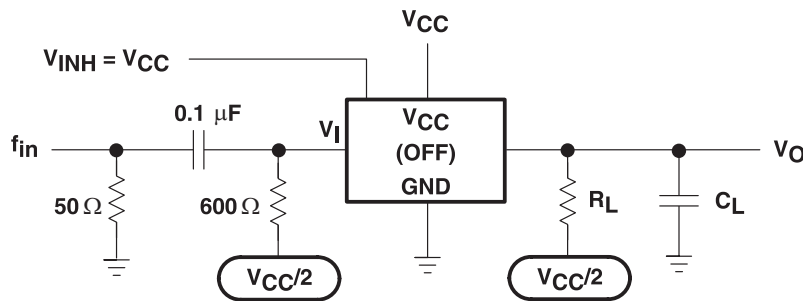
**PARAMETER MEASUREMENT INFORMATION (continued)**



**Figure 7. Crosstalk Between Any Two Switches**



**Figure 8. Crosstalk Between Control Input and Switch Output**



**Figure 9. Feedthrough Attenuation (Switch Off)**



PARAMETER MEASUREMENT INFORMATION (continued)

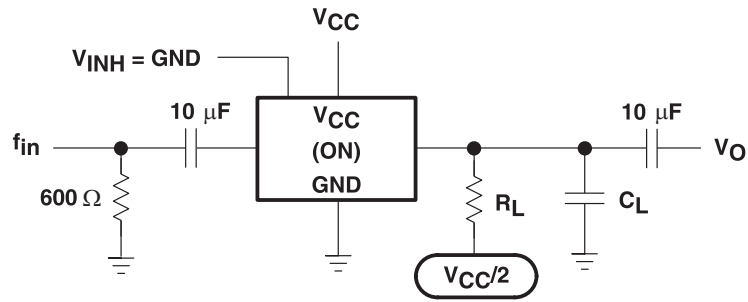


Figure 10. Sine-Wave Distortion

**PACKAGING INFORMATION**

Orderable Device	Status <sup>(1)</sup>	Package Type	Package Drawing	Pins	Package Qty	Eco Plan <sup>(2)</sup>	Lead/ Ball Finish	MSL Peak Temp <sup>(3)</sup>	Samples (Requires Login)
CLV4053ATPWRG4Q1	ACTIVE	TSSOP	PW	16	2000	Green (RoHS & no Sb/Br)	CU NIPDAU	Level-1-260C-UNLIM	
SN74LV4053AQPWRQ1	ACTIVE	TSSOP	PW	16	2000	Green (RoHS & no Sb/Br)	CU NIPDAU	Level-1-260C-UNLIM	
SN74LV4053ATDRQ1	ACTIVE	SOIC	D	16	2500	Green (RoHS & no Sb/Br)	CU NIPDAU	Level-1-260C-UNLIM	
SN74LV4053ATPWRQ1	ACTIVE	TSSOP	PW	16	2000	Green (RoHS & no Sb/Br)	CU NIPDAU	Level-3-260C-168 HR	

<sup>(1)</sup> The marketing status values are defined as follows:

**ACTIVE:** Product device recommended for new designs.

**LIFEBUY:** TI has announced that the device will be discontinued, and a lifetime-buy period is in effect.

**NRND:** Not recommended for new designs. Device is in production to support existing customers, but TI does not recommend using this part in a new design.

**PREVIEW:** Device has been announced but is not in production. Samples may or may not be available.

**OBSOLETE:** TI has discontinued the production of the device.

<sup>(2)</sup> Eco Plan - The planned eco-friendly classification: Pb-Free (RoHS), Pb-Free (RoHS Exempt), or Green (RoHS & no Sb/Br) - please check <http://www.ti.com/productcontent> for the latest availability information and additional product content details.

**TBD:** The Pb-Free/Green conversion plan has not been defined.

**Pb-Free (RoHS):** TI's terms "Lead-Free" or "Pb-Free" mean semiconductor products that are compatible with the current RoHS requirements for all 6 substances, including the requirement that lead not exceed 0.1% by weight in homogeneous materials. Where designed to be soldered at high temperatures, TI Pb-Free products are suitable for use in specified lead-free processes.

**Pb-Free (RoHS Exempt):** This component has a RoHS exemption for either 1) lead-based flip-chip solder bumps used between the die and package, or 2) lead-based die adhesive used between the die and leadframe. The component is otherwise considered Pb-Free (RoHS compatible) as defined above.

**Green (RoHS & no Sb/Br):** TI defines "Green" to mean Pb-Free (RoHS compatible), and free of Bromine (Br) and Antimony (Sb) based flame retardants (Br or Sb do not exceed 0.1% by weight in homogeneous material)

<sup>(3)</sup> MSL, Peak Temp. -- The Moisture Sensitivity Level rating according to the JEDEC industry standard classifications, and peak solder temperature.

**Important Information and Disclaimer:** The information provided on this page represents TI's knowledge and belief as of the date that it is provided. TI bases its knowledge and belief on information provided by third parties, and makes no representation or warranty as to the accuracy of such information. Efforts are underway to better integrate information from third parties. TI has taken and continues to take reasonable steps to provide representative and accurate information but may not have conducted destructive testing or chemical analysis on incoming materials and chemicals. TI and TI suppliers consider certain information to be proprietary, and thus CAS numbers and other limited information may not be available for release.

In no event shall TI's liability arising out of such information exceed the total purchase price of the TI part(s) at issue in this document sold by TI to Customer on an annual basis.

**OTHER QUALIFIED VERSIONS OF SN74LV4053A-Q1 :**

- Catalog: [SN74LV4053A](#)
- Enhanced Product: [SN74LV4053A-EP](#)

NOTE: Qualified Version Definitions:

- Catalog - TI's standard catalog product
- Enhanced Product - Supports Defense, Aerospace and Medical Applications

## TAPE AND REEL INFORMATION



### QUADRANT ASSIGNMENTS FOR PIN 1 ORIENTATION IN TAPE



\*All dimensions are nominal

Device	Package Type	Package Drawing	Pins	SPQ	Reel Diameter (mm)	Reel Width W1 (mm)	A0 (mm)	B0 (mm)	K0 (mm)	P1 (mm)	W (mm)	Pin1 Quadrant
SN74LV4053AQPWRQ1	TSSOP	PW	16	2000	330.0	12.4	6.9	5.6	1.6	8.0	12.0	Q1

**TAPE AND REEL BOX DIMENSIONS**



\*All dimensions are nominal

Device	Package Type	Package Drawing	Pins	SPQ	Length (mm)	Width (mm)	Height (mm)
SN74LV4053AQPWRQ1	TSSOP	PW	16	2000	346.0	346.0	29.0

D (R-PDSO-G16)

PLASTIC SMALL OUTLINE



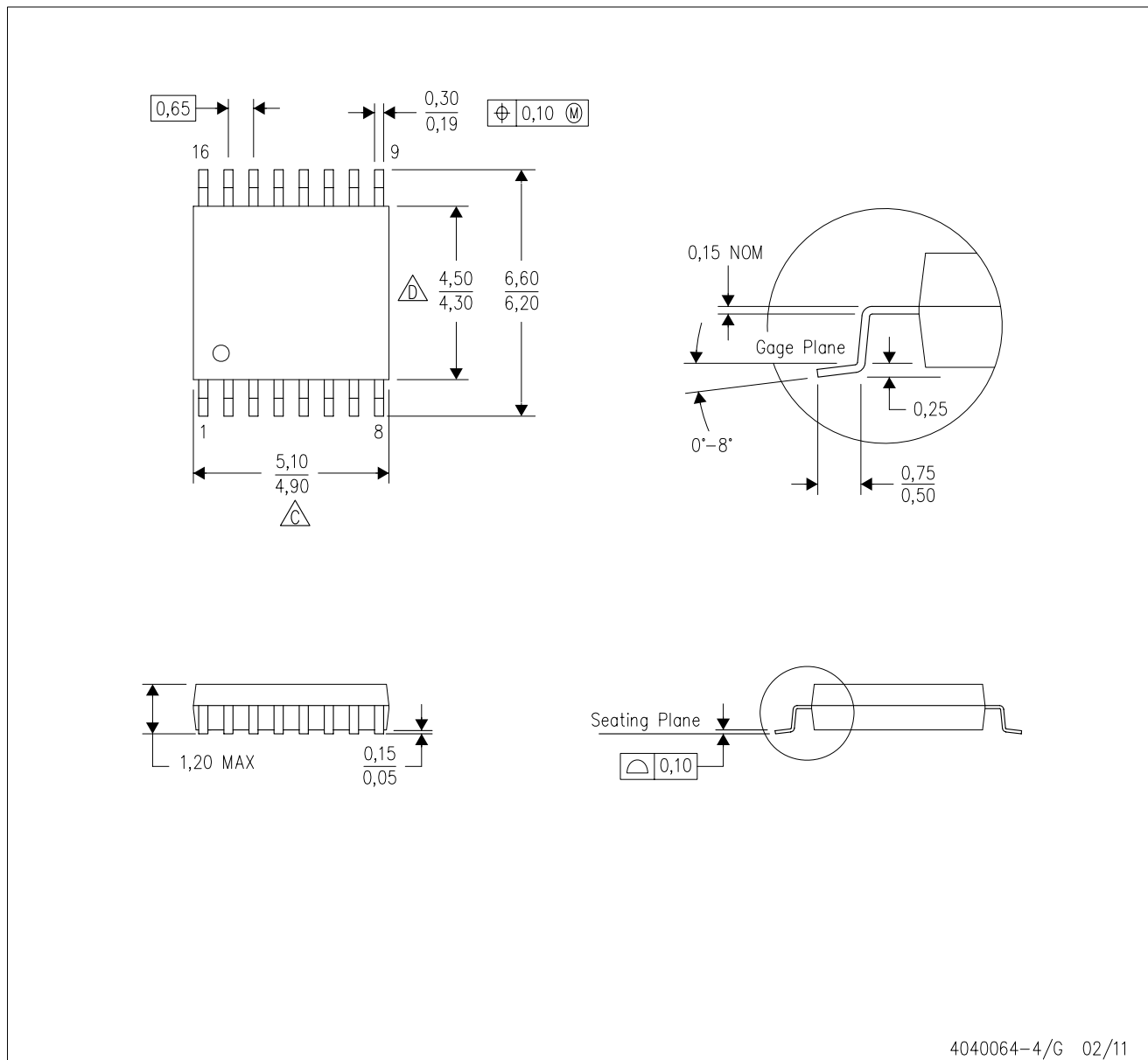
4040047-6/M 06/11

- NOTES:
- A. All linear dimensions are in inches (millimeters).
  - B. This drawing is subject to change without notice.
  -  C. Body length does not include mold flash, protrusions, or gate burrs. Mold flash, protrusions, or gate burrs shall not exceed 0.006 (0,15) each side.
  -  D. Body width does not include interlead flash. Interlead flash shall not exceed 0.017 (0,43) each side.
  - E. Reference JEDEC MS-012 variation AC.



# MECHANICAL DATA

PW (R-PDSO-G16)

PLASTIC SMALL OUTLINE

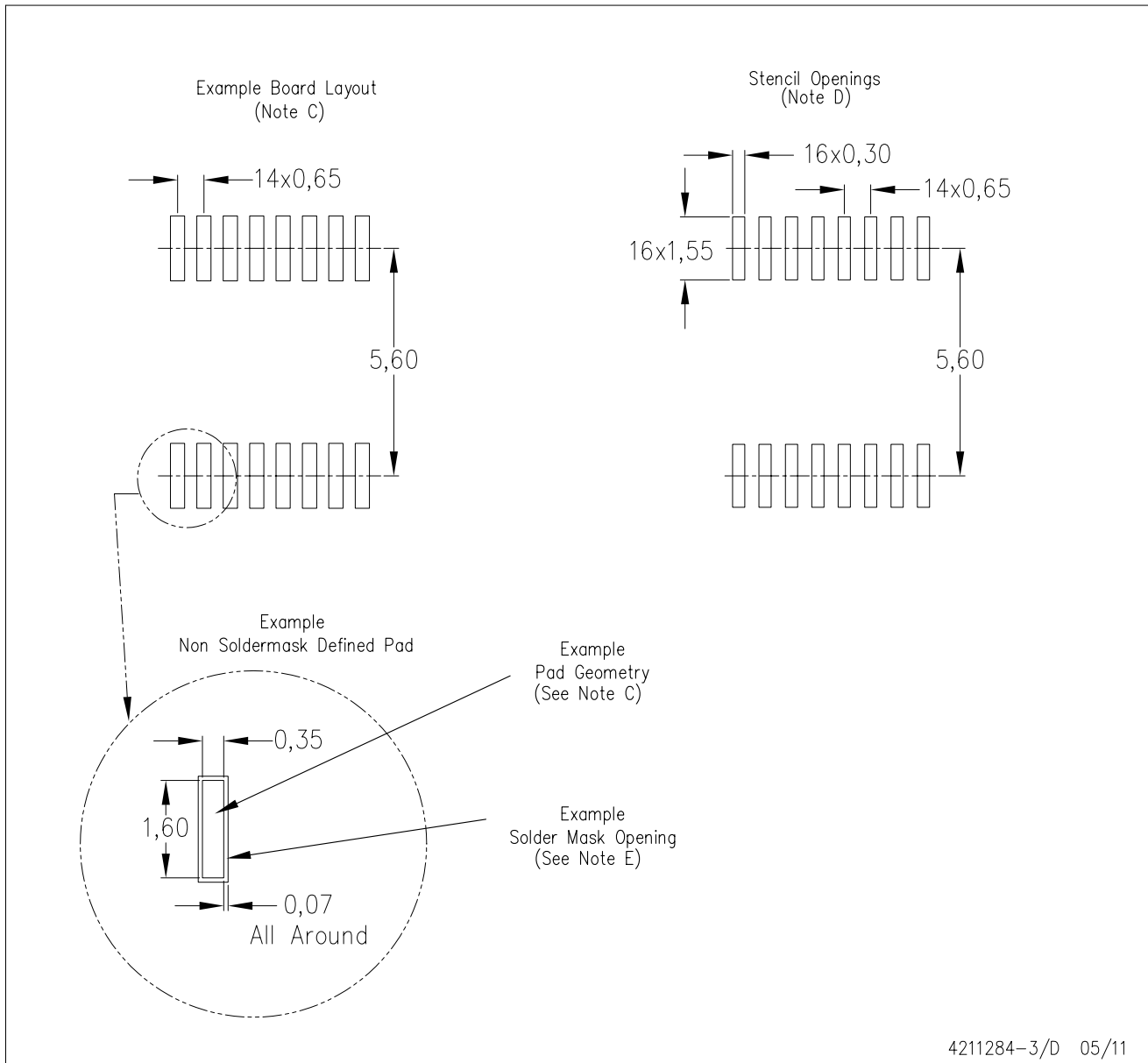


4040064-4/G 02/11

- NOTES:
- A. All linear dimensions are in millimeters. Dimensioning and tolerancing per ASME Y14.5M-1994.
  - B. This drawing is subject to change without notice.
  -  Body length does not include mold flash, protrusions, or gate burrs. Mold flash, protrusions, or gate burrs shall not exceed 0,15 each side.
  -  Body width does not include interlead flash. Interlead flash shall not exceed 0,25 each side.
  - E. Falls within JEDEC MO-153

PW (R-PDSO-G16)

PLASTIC SMALL OUTLINE



- NOTES:
- All linear dimensions are in millimeters.
  - This drawing is subject to change without notice.
  - Publication IPC-7351 is recommended for alternate designs.
  - Laser cutting apertures with trapezoidal walls and also rounding corners will offer better paste release. Customers should contact their board assembly site for stencil design recommendations. Refer to IPC-7525 for other stencil recommendations.
  - Customers should contact their board fabrication site for solder mask tolerances between and around signal pads.



## IMPORTANT NOTICE

Texas Instruments Incorporated and its subsidiaries (TI) reserve the right to make corrections, modifications, enhancements, improvements, and other changes to its products and services at any time and to discontinue any product or service without notice. Customers should obtain the latest relevant information before placing orders and should verify that such information is current and complete. All products are sold subject to TI's terms and conditions of sale supplied at the time of order acknowledgment.

TI warrants performance of its hardware products to the specifications applicable at the time of sale in accordance with TI's standard warranty. Testing and other quality control techniques are used to the extent TI deems necessary to support this warranty. Except where mandated by government requirements, testing of all parameters of each product is not necessarily performed.

TI assumes no liability for applications assistance or customer product design. Customers are responsible for their products and applications using TI components. To minimize the risks associated with customer products and applications, customers should provide adequate design and operating safeguards.

TI does not warrant or represent that any license, either express or implied, is granted under any TI patent right, copyright, mask work right, or other TI intellectual property right relating to any combination, machine, or process in which TI products or services are used. Information published by TI regarding third-party products or services does not constitute a license from TI to use such products or services or a warranty or endorsement thereof. Use of such information may require a license from a third party under the patents or other intellectual property of the third party, or a license from TI under the patents or other intellectual property of TI.

Reproduction of TI information in TI data books or data sheets is permissible only if reproduction is without alteration and is accompanied by all associated warranties, conditions, limitations, and notices. Reproduction of this information with alteration is an unfair and deceptive business practice. TI is not responsible or liable for such altered documentation. Information of third parties may be subject to additional restrictions.

Resale of TI products or services with statements different from or beyond the parameters stated by TI for that product or service voids all express and any implied warranties for the associated TI product or service and is an unfair and deceptive business practice. TI is not responsible or liable for any such statements.

TI products are not authorized for use in safety-critical applications (such as life support) where a failure of the TI product would reasonably be expected to cause severe personal injury or death, unless officers of the parties have executed an agreement specifically governing such use. Buyers represent that they have all necessary expertise in the safety and regulatory ramifications of their applications, and acknowledge and agree that they are solely responsible for all legal, regulatory and safety-related requirements concerning their products and any use of TI products in such safety-critical applications, notwithstanding any applications-related information or support that may be provided by TI. Further, Buyers must fully indemnify TI and its representatives against any damages arising out of the use of TI products in such safety-critical applications.

TI products are neither designed nor intended for use in military/aerospace applications or environments unless the TI products are specifically designated by TI as military-grade or "enhanced plastic." Only products designated by TI as military-grade meet military specifications. Buyers acknowledge and agree that any such use of TI products which TI has not designated as military-grade is solely at the Buyer's risk, and that they are solely responsible for compliance with all legal and regulatory requirements in connection with such use.

TI products are neither designed nor intended for use in automotive applications or environments unless the specific TI products are designated by TI as compliant with ISO/TS 16949 requirements. Buyers acknowledge and agree that, if they use any non-designated products in automotive applications, TI will not be responsible for any failure to meet such requirements.

Following are URLs where you can obtain information on other Texas Instruments products and application solutions:

### Products

Audio	<a href="http://www.ti.com/audio">www.ti.com/audio</a>
Amplifiers	<a href="http://amplifier.ti.com">amplifier.ti.com</a>
Data Converters	<a href="http://dataconverter.ti.com">dataconverter.ti.com</a>
DLP® Products	<a href="http://www.dlp.com">www.dlp.com</a>
DSP	<a href="http://dsp.ti.com">dsp.ti.com</a>
Clocks and Timers	<a href="http://www.ti.com/clocks">www.ti.com/clocks</a>
Interface	<a href="http://interface.ti.com">interface.ti.com</a>
Logic	<a href="http://logic.ti.com">logic.ti.com</a>
Power Mgmt	<a href="http://power.ti.com">power.ti.com</a>
Microcontrollers	<a href="http://microcontroller.ti.com">microcontroller.ti.com</a>
RFID	<a href="http://www.ti-rfid.com">www.ti-rfid.com</a>
RF/IF and ZigBee® Solutions	<a href="http://www.ti.com/lprf">www.ti.com/lprf</a>

### Applications

Communications and Telecom	<a href="http://www.ti.com/communications">www.ti.com/communications</a>
Computers and Peripherals	<a href="http://www.ti.com/computers">www.ti.com/computers</a>
Consumer Electronics	<a href="http://www.ti.com/consumer-apps">www.ti.com/consumer-apps</a>
Energy and Lighting	<a href="http://www.ti.com/energy">www.ti.com/energy</a>
Industrial	<a href="http://www.ti.com/industrial">www.ti.com/industrial</a>
Medical	<a href="http://www.ti.com/medical">www.ti.com/medical</a>
Security	<a href="http://www.ti.com/security">www.ti.com/security</a>
Space, Avionics and Defense	<a href="http://www.ti.com/space-avionics-defense">www.ti.com/space-avionics-defense</a>
Transportation and Automotive	<a href="http://www.ti.com/automotive">www.ti.com/automotive</a>
Video and Imaging	<a href="http://www.ti.com/video">www.ti.com/video</a>
Wireless	<a href="http://www.ti.com/wireless-apps">www.ti.com/wireless-apps</a>

TI E2E Community Home Page

[e2e.ti.com](http://e2e.ti.com)

Mailing Address: Texas Instruments, Post Office Box 655303, Dallas, Texas 75265  
Copyright © 2011, Texas Instruments Incorporated