

## SNx4HC594 8-Bit Shift Registers With Output Registers

### 1 Features

- Wide Operating Voltage Range of 2 V to 6 V
- High-Current Outputs Can Drive up to 15 LSTTL Loads
- Low Power Consumption, 80- $\mu$ A Maximum  $I_{CC}$
- Typical  $t_{pd} = 15$  ns
- $\pm 6$ -mA Output Drive at 5 V
- Low Input Current of 1  $\mu$ A Maximum
- 8-Bit Serial-In, Parallel-Out Shift Registers With Storage
- Independent Direct Overriding Clears on Shift and Storage Registers
- Independent Clocks for Both Shift and Storage Registers

### 2 Applications

- Pro Audio Mixer
- Elevators and Escalators
- Human Machine Interface (HMI): Industrial Monitor
- Entertainment Systems
- Grid Infrastructure: Grid Control
- Access Control and Security: DVR and DVS

### 3 Description

The SNx4HC594 devices contain an 8-bit serial-in, parallel-out shift register that feeds an 8-bit D-type storage register. Separate clocks and direct overriding clear ( $\overline{RCLR}$ ,  $\overline{SRCLR}$ ) inputs are provided on both the shift and storage registers. A serial ( $Q_H$ ) output is provided for cascading purposes.

Both the shift register (SRCLK) and storage register (RCLK) clocks are positive edge triggered. If both clocks are connected together, the shift register always is one count pulse ahead of the storage register.

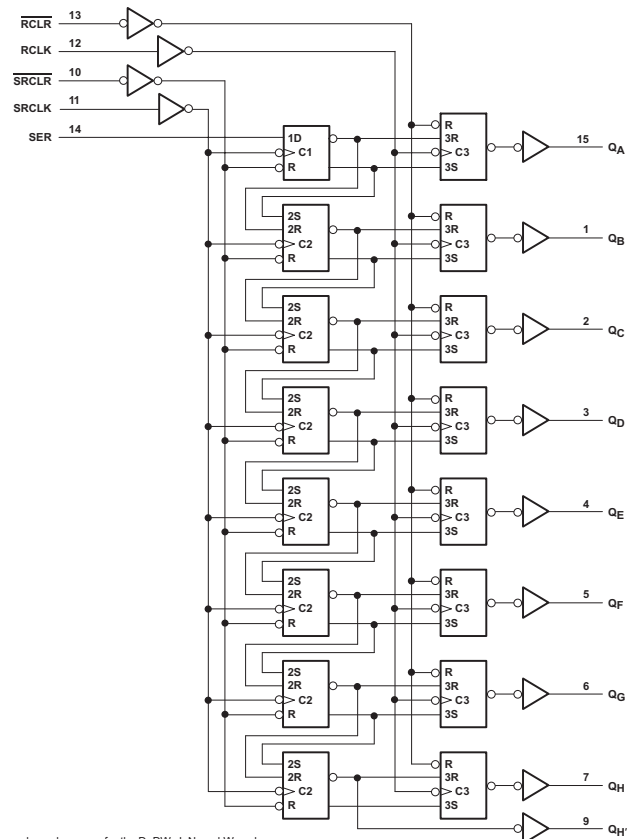
The parallel ( $Q_A - Q_H$ ) outputs have high-current capability.  $Q_H$  is a standard output.

#### Device Information<sup>(1)</sup>

PART NUMBER	PACKAGE	BODY SIZE (NOM)
SN74HC594	PDIP (16)	19.30 mm x 6.35 mm
	SOIC (16)	9.00 mm x 9.00 mm
		10.30 mm x 7.50 mm

(1) For all available packages, see the orderable addendum at the end of the datasheet.

#### Logic Diagram (Positive Logic)



Pin numbers shown are for the D, DW, J, N, and W packages.



## Table of Contents

<b>1 Features</b> .....	<b>1</b>	8.1 Overview .....	11
<b>2 Applications</b> .....	<b>1</b>	8.2 Functional Block Diagram .....	11
<b>3 Description</b> .....	<b>1</b>	8.3 Feature Description .....	11
<b>4 Revision History</b> .....	<b>2</b>	8.4 Device Functional Modes .....	12
<b>5 Pin Configuration and Functions</b> .....	<b>3</b>	<b>9 Application and Implementation</b> .....	<b>13</b>
<b>6 Specifications</b> .....	<b>4</b>	9.1 Application Information .....	13
6.1 Absolute Maximum Ratings .....	4	9.2 Typical Application .....	13
6.2 ESD Ratings .....	4	<b>10 Power Supply Recommendations</b> .....	<b>15</b>
6.3 Recommended Operating Conditions .....	4	<b>11 Layout</b> .....	<b>15</b>
6.4 Thermal Information .....	5	11.1 Layout Guidelines .....	15
6.5 Electrical Characteristics .....	5	11.2 Layout Example .....	15
6.6 Switching Characteristics: $C_L = 50$ pF .....	6	<b>12 Device and Documentation Support</b> .....	<b>16</b>
6.7 Switching Characteristics: $C_L = 150$ pF .....	6	12.1 Documentation Support .....	16
6.8 Timing Requirements .....	7	12.2 Trademarks .....	16
6.9 Operating Characteristics .....	7	12.3 Electrostatic Discharge Caution .....	16
6.10 Typical Characteristics .....	9	12.4 Glossary .....	16
<b>7 Parameter Measurement Information</b> .....	<b>10</b>	<b>13 Mechanical, Packaging, and Orderable Information</b> .....	<b>16</b>
<b>8 Detailed Description</b> .....	<b>11</b>		

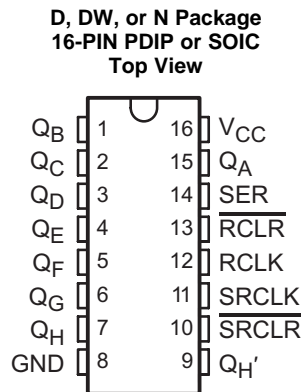
## 4 Revision History

### Changes from Revision F (October 2003) to Revision G

**Page**

• Added <i>Pin Configuration and Functions</i> section, <i>ESD Ratings</i> table, <i>Feature Description</i> section, <i>Device Functional Modes</i> , <i>Application and Implementation</i> section, <i>Power Supply Recommendations</i> section, <i>Layout</i> section, <i>Device and Documentation Support</i> section, and <i>Mechanical, Packaging, and Orderable Information</i> section .....	1
• Removed ordering information. ....	1
• ESD warning added .....	1

## 5 Pin Configuration and Functions



### Pin Functions

PIN		I/O	DESCRIPTION
NO.	NAME		
1	Q <sub>B</sub>	O	Output B
2	Q <sub>C</sub>	O	Output C
3	Q <sub>D</sub>	O	Output D
4	Q <sub>E</sub>	O	Output E
5	Q <sub>F</sub>	O	Output F
6	Q <sub>G</sub>	O	Output G
7	Q <sub>H</sub>	O	Output H
8	GND	–	Ground
9	Q <sub>H</sub> '	O	Q <sub>H</sub> inverted
10	$\overline{\text{SRCLR}}$	I	Serial clear
11	SRCLK	I	Serial clock
12	RCLK	I	Storage clock
13	$\overline{\text{RCLR}}$	I	Storage clear
14	SER	I	Serial input
15	Q <sub>A</sub>	O	Output A
16	V <sub>CC</sub>	–	Power pin

## 6 Specifications

### 6.1 Absolute Maximum Ratings<sup>(1)</sup>

over operating free-air temperature range (unless otherwise noted)

		MIN	MAX	UNIT	
$V_{CC}$	Supply voltage	-0.5	7	V	
$I_{IK}$	Input clamp current <sup>(2)</sup>	$V_I < 0$ or $V_I > V_{CC}$	-20	20	mA
$I_{OK}$	Output clamp current <sup>(2)</sup>	$V_O < 0$ or $V_O > V_{CC}$	-20	20	mA
$I_O$	Continuous output current	$V_O = 0$ to $V_{CC}$	-35	35	mA
Continuous current through $V_{CC}$ or GND			-70	70	mA
$\theta_{JA}$	Package thermal impedance <sup>(3)</sup>	D package		73	°C/W
		DW package		57	
		N package		67	
$T_{stg}$	Storage temperature		-60	150	°C

(1) Stresses beyond those listed under *Absolute Maximum Ratings* may cause permanent damage to the device. These are stress ratings only, which do not imply functional operation of the device at these or any other conditions beyond those indicated under *Recommended Operating Conditions*. Exposure to absolute-maximum-rated conditions for extended periods may affect device reliability.

(2) The input and output voltage ratings may be exceeded if the input and output current ratings are observed.

(3) The package thermal impedance is calculated in accordance with JESD 51-7.

### 6.2 ESD Ratings

		VALUE	UNIT
$V_{(ESD)}$	Electrostatic discharge	Human body model (HBM), per ANSI/ESDA/JEDEC JS-001 <sup>(1)</sup>	±2000
		Charged-device model (CDM), per JEDEC specification JESD22-C101 <sup>(2)</sup>	±1000

(1) JEDEC document JEP155 states that 500-V HBM allows safe manufacturing with a standard ESD control process.

(2) JEDEC document JEP157 states that 250-V CDM allows safe manufacturing with a standard ESD control process.

### 6.3 Recommended Operating Conditions

 over operating free-air temperature range (unless otherwise noted)<sup>(1)</sup>

		SN54HC594 <sup>(2)</sup>			SN74HC594			UNIT
		MIN	NOM	MAX	MIN	NOM	MAX	
$V_{CC}$	Supply voltage	2	5	6	2	5	6	V
$V_{IH}$	High-level input voltage	$V_{CC} = 2$ V	1.5		1.5			V
		$V_{CC} = 4.5$ V	3.15		3.15			
		$V_{CC} = 6$ V	4.2		4.2			
$V_{IL}$	Low-level input voltage	$V_{CC} = 2$ V	0.5		0.5			V
		$V_{CC} = 4.5$ V	1.35		1.35			
		$V_{CC} = 6$ V	1.8		1.8			
$V_I$	Input voltage	0	$V_{CC}$		0	$V_{CC}$		V
$V_O$	Output voltage	0	$V_{CC}$		0	$V_{CC}$		V
$t_t$	Input transition (rise and fall) rate	$V_{CC} = 2$ V	1000		1000			ns
		$V_{CC} = 4.5$ V	500		500			
		$V_{CC} = 6$ V	400		400			
$T_A$	Operating free-air temperature	-55	125		-40	125		°C

(1) All unused inputs of the device must be held at  $V_{CC}$  or GND to ensure proper device operation. Refer to the TI application report, *Implications of Slow or Floating CMOS Inputs*, [SCBA004](#).

(2) Product Preview

## 6.4 Thermal Information

THERMAL METRIC <sup>(1)</sup>		SN74HC594			UNIT
		N (PDIP)	D (SOIC)	DW (SOIC)	
		16 PINS	16 PINS	16 PINS	
R <sub>θJA</sub>	Junction-to-ambient thermal resistance	41.3	72.3	71	°C/W
R <sub>θJC(top)</sub>	Junction-to-case (top) thermal resistance	28	33.2	32.3	
R <sub>θJB</sub>	Junction-to-board thermal resistance	21.3	29.9	35.9	
ψ <sub>JT</sub>	Junction-to-top characterization parameter	12.6	5.3	6.7	
ψ <sub>JB</sub>	Junction-to-board characterization parameter	21.1	29.6	35.3	

(1) For more information about traditional and new thermal metrics, see the *IC Package Thermal Metrics* application report, [SPRA953](#).

## 6.5 Electrical Characteristics

over recommended operating free-air temperature range (unless otherwise noted)

PARAMETER	TEST CONDITIONS		V <sub>CC</sub>	T <sub>A</sub> = 25°C			SN54HC594 <sup>(1)</sup> –55°C to 125°C		SN74HC594 –40°C to 85°C		SN74HC594 –40°C to 125°C		UNIT
				MIN	TYP	MAX	MIN	MAX	MIN	MAX	MIN	MAX	
V <sub>OH</sub>	V <sub>I</sub> = V <sub>IH</sub> or V <sub>IL</sub>	I <sub>OH</sub> = –20 μA	2 V	1.9	1.998		1.9		1.9			V	
			4.5 V	4.4	4.499		4.4		4.4				
			6 V	5.9	5.999		5.9		5.9				
		4.5 V	Q <sub>H</sub> <sup>†</sup> I <sub>OH</sub> = –4 mA	3.98	4.3		3.7		3.84		3.84		
			Q <sub>A</sub> – Q <sub>H</sub> I <sub>OH</sub> = –6 mA	3.98	4.3		3.7		3.84		3.84		
			Q <sub>H</sub> <sup>†</sup> I <sub>OH</sub> = –5.2 mA	5.48	5.8		5.2		5.34		5.34		
Q <sub>A</sub> – Q <sub>H</sub> I <sub>OH</sub> = –7.8 mA	5.48	5.8			5.2		5.34		5.34				
V <sub>OL</sub>	V <sub>I</sub> = V <sub>IH</sub> or V <sub>IL</sub>	I <sub>OL</sub> = 20 μA	2 V		0.002	0.1			0.1		0.1	V	
			4.5 V		0.001	0.1			0.1		0.1		
			6 V		0.001	0.1			0.1		0.1		
		4.5 V	Q <sub>H</sub> <sup>†</sup> I <sub>OL</sub> = 4 mA		0.17	0.26			0.4		0.33		0.33
			Q <sub>A</sub> – Q <sub>H</sub> I <sub>OL</sub> = 6 mA		0.17	0.26			0.4		0.33		0.33
			Q <sub>H</sub> <sup>†</sup> I <sub>OL</sub> = 5.2 mA		0.15	0.26			0.4		0.33		0.33
Q <sub>A</sub> – Q <sub>H</sub> I <sub>OL</sub> = 7.8 mA		0.15		0.26			0.4		0.33	0.33			
I <sub>I</sub>	V <sub>I</sub> = V <sub>CC</sub> or 0	6 V		±0.1	±100		±1000		±1000		±1000	nA	
I <sub>CC</sub>	V <sub>I</sub> = V <sub>CC</sub> or 0, I <sub>O</sub> = 0	6 V			8		160		80		80	μA	
C <sub>i</sub>		2 V to 6 V			3	10		10		10			pF

(1) Product Preview

## 6.6 Switching Characteristics: $C_L = 50 \text{ pF}$

 over recommended operating free-air temperature range (unless otherwise noted) (see [Figure 4](#))

PARAMETER	FROM (INPUT)	TO (OUTPUT)	$V_{CC}$	$T_A = 25^\circ\text{C}$			SN54HC594 <sup>(1)</sup> –55°C to 125°C		SN74HC594 –40°C to 85°C		SN74HC594 –40°C to 125°C		UNIT
				MIN	TYP	MAX	MIN	MAX	MIN	MAX	MIN	MAX	
$f_{max}$			2 V	5	8		3.3		4		4	MHz	
			4.5 V	25	35		17		20		20		
			6 V	29	40		20		24		24		
$t_{pd}$	SRCLK	$Q_H$	2 V		50	150		225		185		200	ns
			4.5 V		20	30		45		37		42	
			6 V		15	25		38		31		36	
	RCLK	$Q_A - Q_H$	2 V		50	150		225		185		200	
			4.5 V		20	30		45		37		42	
			6 V		15	25		38		31		36	
$t_{PHL}$	$\overline{\text{SRCLR}}$	$Q_H$	2 V		50	150		225		185		200	ns
			4.5 V		20	30		45		37		42	
			6 V		15	25		38		31		36	
	$\overline{\text{RCLR}}$	$Q_A - Q_H$	2 V		50	125		185		155		170	
			4.5 V		20	25		37		31		36	
			6 V		15	21		31		26		31	
$t_t$		$Q_H$	2 V		38	75		110		95		110	ns
			4.5 V		8	15		22		19		21	
			6 V		6	13		19		16		18	
		$Q_A - Q_H$	2 V		38	60		90		75		85	
			4.5 V		8	12		18		15		17	
			6 V		6	10		15		13		15	

(1) Product Preview

## 6.7 Switching Characteristics: $C_L = 150 \text{ pF}$

 over recommended operating free-air temperature range (unless otherwise noted) (see [Figure 4](#))

PARAMETER	FROM (INPUT)	TO (OUTPUT)	$V_{CC}$	$T_A = 25^\circ\text{C}$			SN54HC594 <sup>(1)</sup> –55°C to 125°C		SN74HC594 –40°C to 85°C		SN74HC594 –40°C to 125°C		UNIT
				MIN	TYP	MAX	MIN	MAX	MIN	MAX	MIN	MAX	
$t_{pd}$	RCLK	$Q_A - Q_H$	2 V		90	200		300		250		270	ns
			4.5 V		23	40		60		50		55	
			6 V		19	34		51		43		48	
$t_{PHL}$	$\overline{\text{RCLR}}$	$Q_A - Q_H$	2 V		90	200		300		250		270	ns
			4.5 V		23	40		60		50		55	
			6 V		19	34		51		43		48	
$t_t$		$Q_A - Q_H$	2 V		45	210		315		265		285	ns
			4.5 V		17	42		63		53		58	
			6 V		13	36		53		45		50	

(1) Product Preview

## 6.8 Timing Requirements

over recommended operating free-air temperature range (unless otherwise noted)

		V <sub>CC</sub>	T <sub>A</sub> = 25°C		SN54HC594 <sup>(1)</sup> –55°C to 125°C		SN74HC594 –40°C to 85°C		SN74HC594 –40°C to 125°C		UNIT
			MIN	MAX	MIN	MAX	MIN	MAX	MIN	MAX	
f <sub>clock</sub>	Clock frequency	2 V	5		3.3		4		4		MHz
		4.5 V	25		17		20		20		
		6 V	29		20		24		24		
t <sub>w</sub>	SRCLK or RCLK high or low	2 V	100	150	125	130	ns				
		4.5 V	20	30	25	27					
		6 V	17	25	21	23					
	SRCLR or RCLR low	2 V	100	150	125	130					
		4.5 V	20	30	25	27					
		6 V	17	25	21	23					
t <sub>su</sub>	SER before SRCLK↑	2 V	90	135	110	115	ns				
		4.5 V	18	27	22	24					
		6 V	15	23	19	21					
	SRCLK↑ before RCLK↑ <sup>(2)</sup>	2 V	90	135	110	115					
		4.5 V	18	27	22	24					
		6 V	15	23	19	21					
	SRCLR low before RCLK↑	2 V	50	75	63	68	ns				
		4.5 V	10	15	13	15					
		6 V	9	13	11	13					
	SRCLR high (inactive) before SRCLK↑	2 V	20	20	20	20					
		4.5 V	10	10	10	10					
		6 V	10	10	10	10					
RCLR high (inactive) before SRCLK↑	2 V	5	5	5	5						
	4.5 V	5	5	5	5						
	6 V	5	5	5	5						
t <sub>h</sub>	Hold time, SER after SRCLK↑	2 V	5	5	5	5	ns				
		4.5 V	5	5	5	5					
		6 V	5	5	5	5					

(1) Product Preview

(2) This setup time ensures that the output register receives stable data from the shift-register outputs. The clocks may be tied together, in which case the output register is one clock pulse behind the shift register.

## 6.9 Operating Characteristics

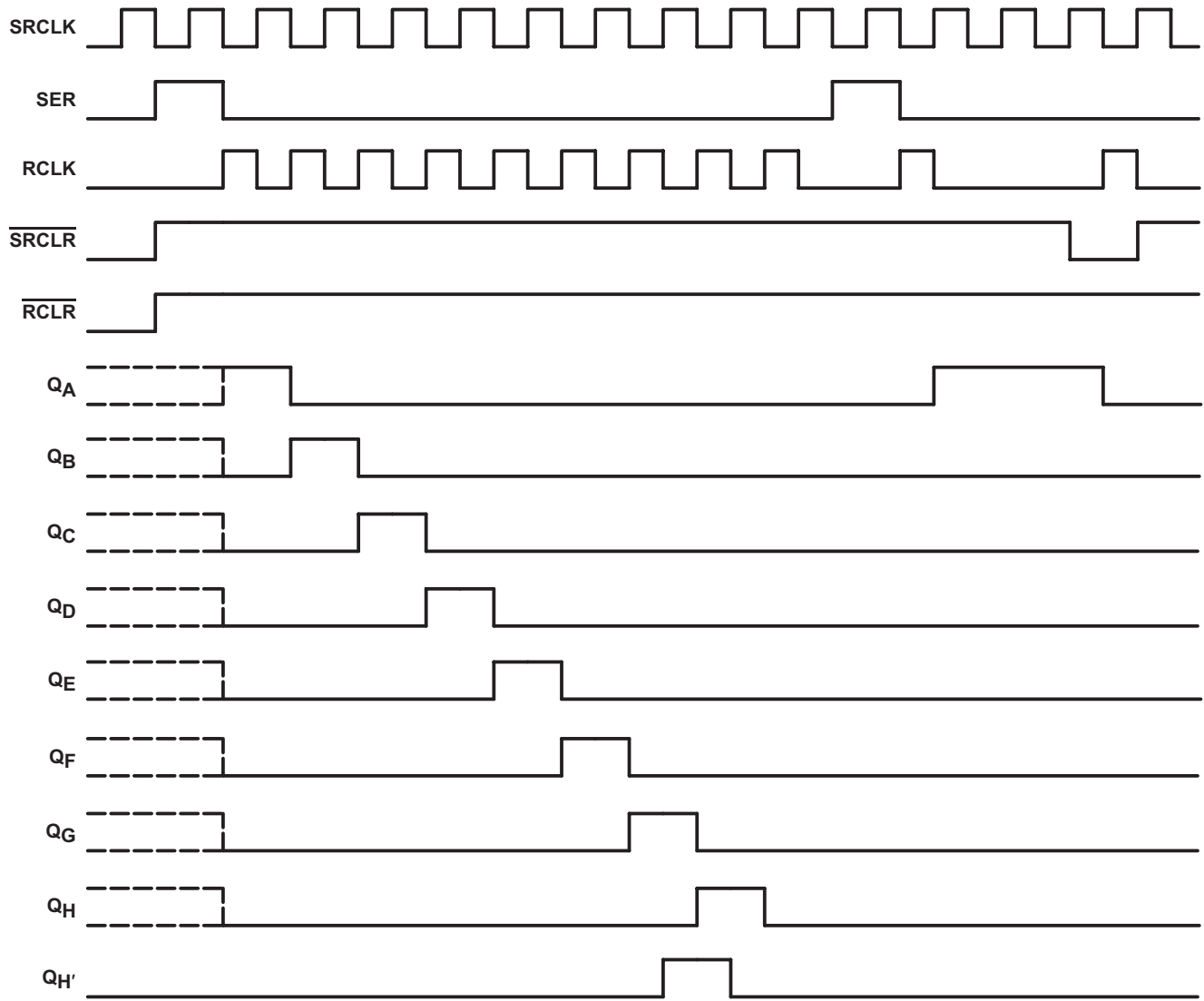
T<sub>A</sub> = 25°C

PARAMETER	TEST CONDITIONS	TYP	UNIT
C <sub>pd</sub> Power dissipation capacitance	No load	395	pF

**SN54HC594, SN74HC594**

SCLS040G – DECEMBER 1982 – REVISED MARCH 2015

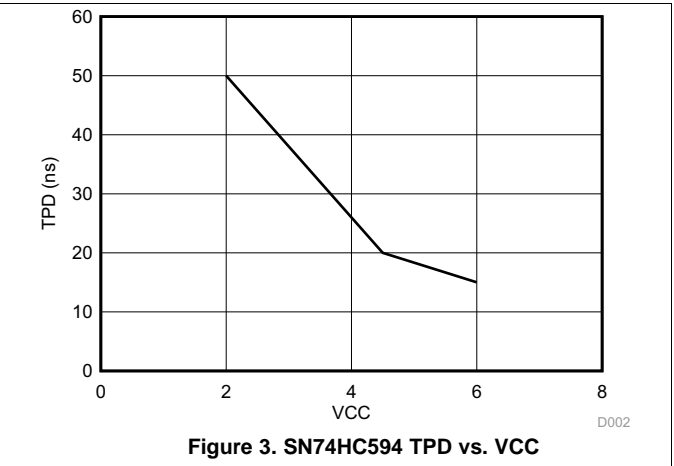
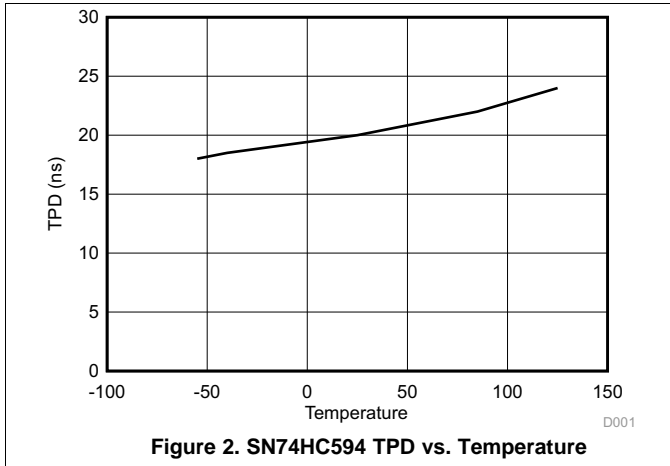
[www.ti.com](http://www.ti.com)



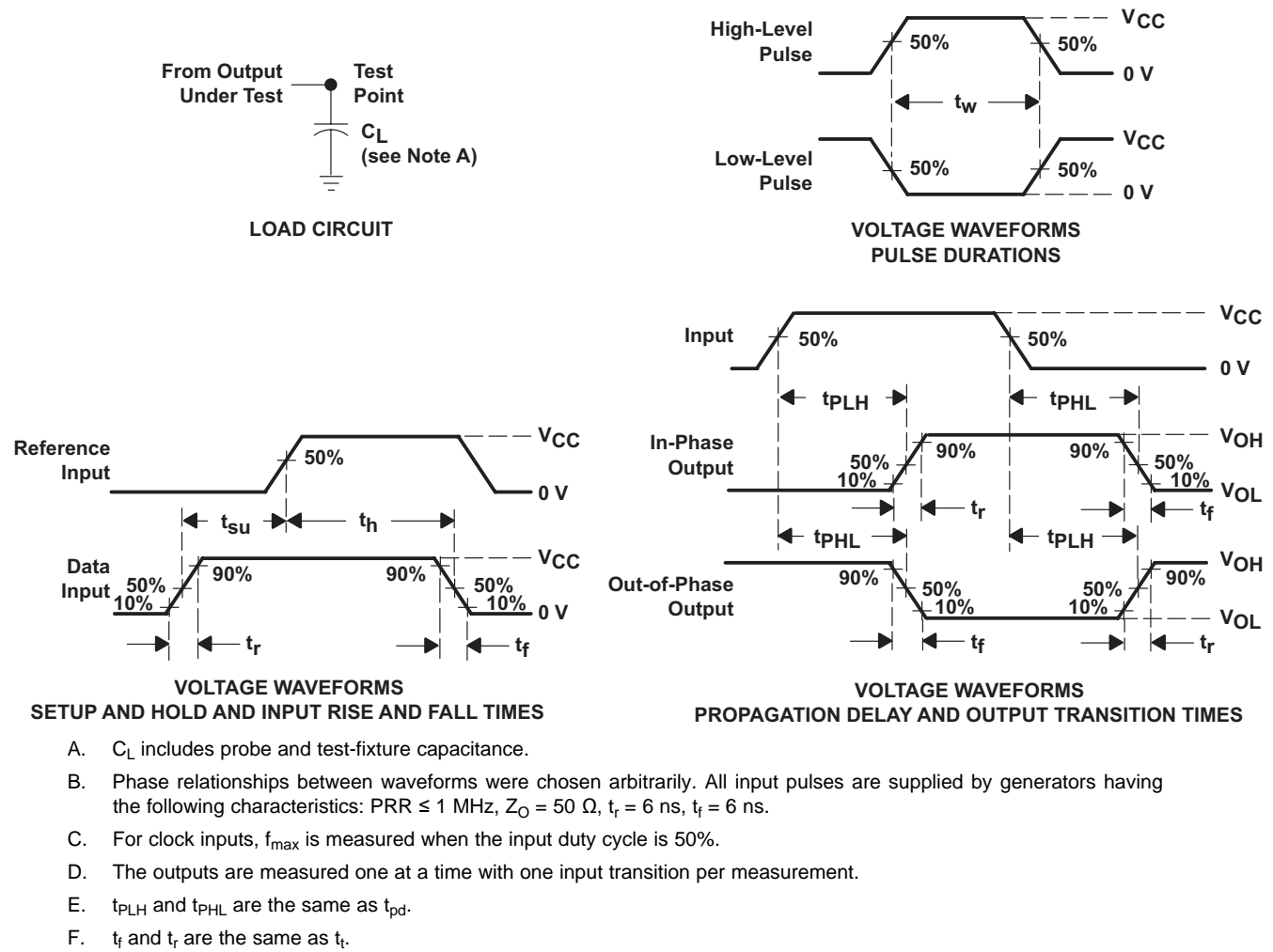
**Figure 1. Timing Diagram**



### 6.10 Typical Characteristics



## 7 Parameter Measurement Information



**Figure 4. Load Circuit and Voltage Waveforms**

## 8 Detailed Description

### 8.1 Overview

The SNx4HC594 devices contain an 8-bit serial-in, parallel-out shift register that feeds an 8-bit D-type storage register. Separate clocks and direct overriding clear ( $\overline{RCLR}$ ,  $\overline{SRCLR}$ ) inputs are provided on both the shift and storage registers. A serial ( $Q_H$ ) output is provided for cascading purposes.

Both the shift register (SRCLK) and storage register (RCLK) clocks are positive edge triggered. If both clocks are connected together, the shift register always is one count pulse ahead of the storage register.

The parallel ( $Q_A - Q_H$ ) outputs have high-current capability.  $Q_H$  is a standard output.

### 8.2 Functional Block Diagram

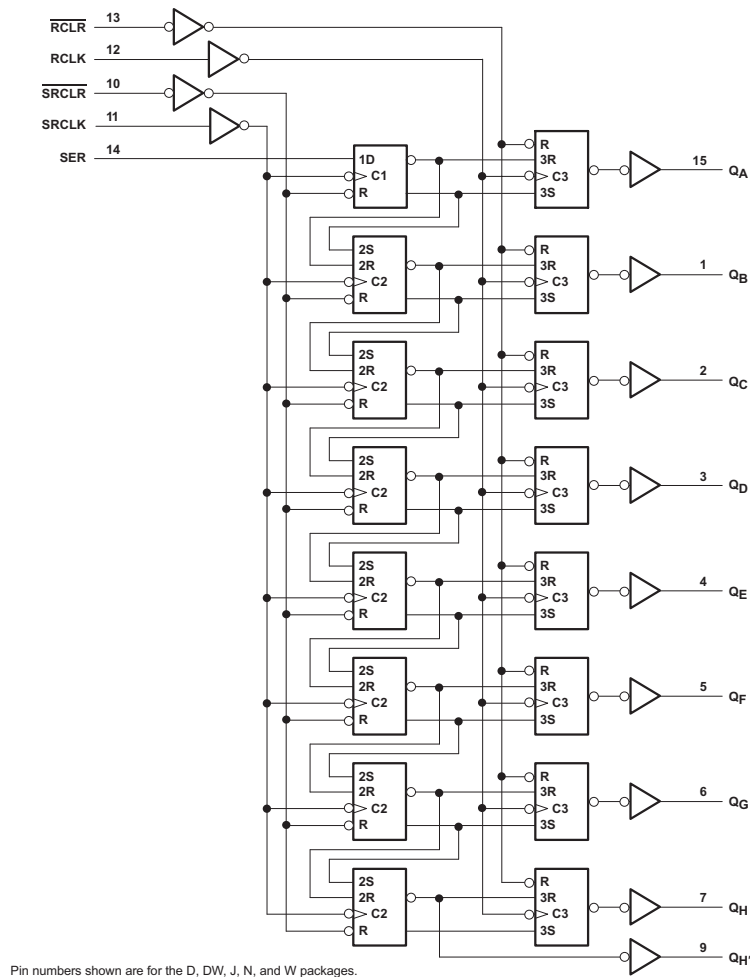


Figure 5. Logic Diagram (Positive Logic)

### 8.3 Feature Description

The wide operating range allows the device to be used in a variety of systems that use different logic levels. The high-current outputs allow the device to drive medium loads without significant drops in output voltage. In addition, the low power consumption makes this device a good choice for portable and battery power-sensitive applications.

## 8.4 Device Functional Modes

**Table 1. Function Table**

INPUTS					FUNCTION
SER	SRCLK	SRCLR	RCLK	RCLR	
X	X	L	X	X	Shift register is cleared.
L	↑	H	X	X	First stage of shift register goes low. Other stages store the data of previous stage, respectively.
H	↑	H	X	X	First stage of shift register goes high. Other stages store the data of previous stage, respectively.
L	↓	H	X	X	Shift register state is not changed.
X	X	X	X	L	Storage register is cleared.
X	X	X	↑	H	Shift register data is stored in the storage register.
X	X	X	↓	H	Storage register state is not changed.

## 9 Application and Implementation

### NOTE

Information in the following applications sections is not part of the TI component specification, and TI does not warrant its accuracy or completeness. TI's customers are responsible for determining suitability of components for their purposes. Customers should validate and test their design implementation to confirm system functionality.

### 9.1 Application Information

The SN74HC594 is a low drive CMOS device that can be used for a multitude of bus interface type applications where output ringing is a concern. The low drive and slow edge rates will minimize overshoot and undershoot on the outputs.

### 9.2 Typical Application

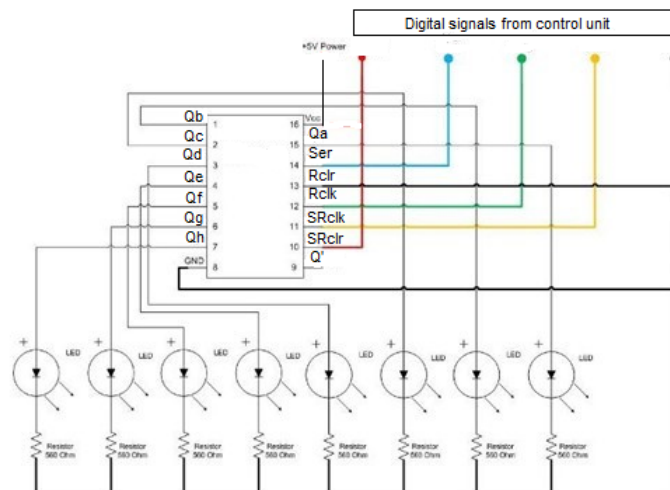


Figure 6. Typical Application Schematic

#### 9.2.1 Design Requirements

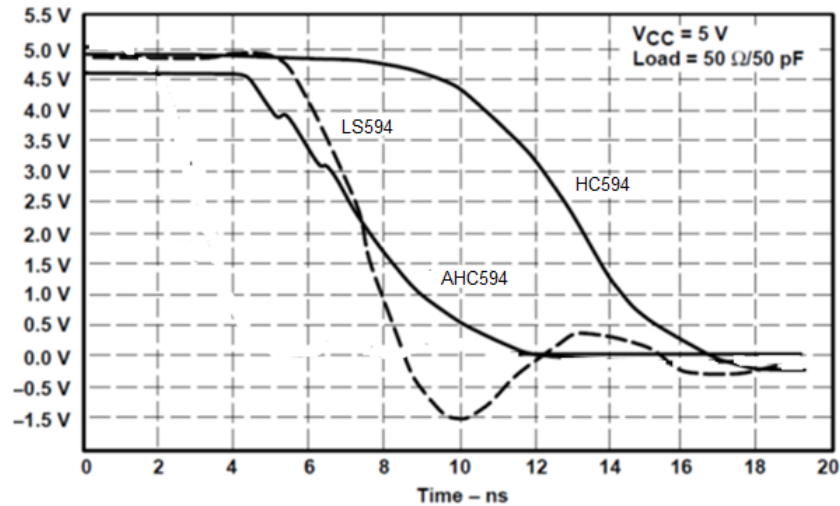
This device uses CMOS technology and has balanced output drive. Take care to avoid bus contention because it can drive currents that would exceed maximum limits. The high drive will also create fast edges into light loads so consider routing and load conditions to prevent ringing.

## Typical Application (continued)

### 9.2.2 Detailed Design Procedure

- Recommended input conditions:
  - Rise time and fall time specs see  $(\Delta t/\Delta V)$  in *Recommended Operating Conditions* table.
  - Specified High and low levels. See  $V_{IH}$  and  $V_{IL}$  in *Recommended Operating Conditions* table.
  - Inputs are overvoltage tolerant allowing them to go as high as 5.5 V at any valid  $V_{CC}$
- Recommended output conditions:
  - Load currents should not exceed 35 mA per output and 70 mA total for the part
  - Outputs should not be pulled above  $V_{CC}$

### 9.2.3 Application Curves



**Figure 7. Switching Characteristics Comparison**

## 10 Power Supply Recommendations

The power supply can be any voltage between the minimum and maximum supply voltage rating located in the [Recommended Operating Conditions](#).

Each  $V_{CC}$  terminal should have a good bypass capacitor to prevent power disturbance. For devices with a single supply, TI recommends a 0.1- $\mu\text{F}$  capacitor and if there are multiple  $V_{CC}$  terminals then TI recommends a 0.01- $\mu\text{F}$  or 0.022- $\mu\text{F}$  capacitor for each power terminal. Multiple bypass capacitors can be paralleled to reject different frequencies of noise. Frequencies of 0.1  $\mu\text{F}$  and 1  $\mu\text{F}$  are commonly used in parallel. The bypass capacitor should be installed as close as possible to the power terminal for best results.

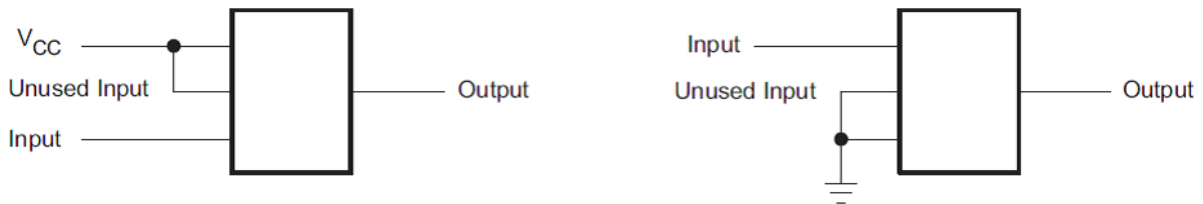
## 11 Layout

### 11.1 Layout Guidelines

When using multiple bit logic devices inputs should not ever float.

In many cases, functions or parts of functions of digital logic devices are unused, for example, when only two inputs of a triple-input AND gate are used or only three of the four buffer gates are used. Such input pins should not be left unconnected because the undefined voltages at the outside connections result in undefined operational states. Specified below are the rules that must be observed under all circumstances. All unused inputs of digital logic devices must be connected to a high or low bias to prevent them from floating. The logic level that should be applied to any particular unused input depends on the function of the device. Generally they will be tied to GND or  $V_{CC}$  whichever make more sense or is more convenient. Floating outputs is generally acceptable, unless the part is a transceiver. If the transceiver has an output enable pin it will disable the outputs section of the part when asserted. This will not disable the input section of the I.O's so they also cannot float when disabled.

### 11.2 Layout Example



**Figure 8. Layout Recommendation**

## 12 Device and Documentation Support

### 12.1 Documentation Support

#### 12.1.1 Related Documentation

For related documentation see the following:

*Implications of Slow or Floating CMOS Inputs*, [SCBA004](#)

### 12.2 Trademarks

All trademarks are the property of their respective owners.

### 12.3 Electrostatic Discharge Caution



These devices have limited built-in ESD protection. The leads should be shorted together or the device placed in conductive foam during storage or handling to prevent electrostatic damage to the MOS gates.

### 12.4 Glossary

[SLYZ022](#) — *TI Glossary*.

This glossary lists and explains terms, acronyms, and definitions.

## 13 Mechanical, Packaging, and Orderable Information

The following pages include mechanical, packaging, and orderable information. This information is the most current data available for the designated devices. This data is subject to change without notice and revision of this document. For browser-based versions of this data sheet, refer to the left-hand navigation.



**PACKAGING INFORMATION**

Orderable Device	Status (1)	Package Type	Package Drawing	Pins	Package Qty	Eco Plan (2)	Lead/Ball Finish (6)	MSL Peak Temp (3)	Op Temp (°C)	Device Marking (4/5)	Samples
SN74HC594D	ACTIVE	SOIC	D	16	40	Green (RoHS & no Sb/Br)	CU NIPDAU	Level-1-260C-UNLIM	-40 to 125	HC594	<a href="#">Samples</a>
SN74HC594DE4	ACTIVE	SOIC	D	16	40	Green (RoHS & no Sb/Br)	CU NIPDAU	Level-1-260C-UNLIM	-40 to 125	HC594	<a href="#">Samples</a>
SN74HC594DG4	ACTIVE	SOIC	D	16	40	Green (RoHS & no Sb/Br)	CU NIPDAU	Level-1-260C-UNLIM	-40 to 125	HC594	<a href="#">Samples</a>
SN74HC594DR	ACTIVE	SOIC	D	16	2500	Green (RoHS & no Sb/Br)	CU NIPDAU	Level-1-260C-UNLIM	-40 to 125	HC594	<a href="#">Samples</a>
SN74HC594DRE4	ACTIVE	SOIC	D	16	2500	Green (RoHS & no Sb/Br)	CU NIPDAU	Level-1-260C-UNLIM	-40 to 125	HC594	<a href="#">Samples</a>
SN74HC594DRG4	ACTIVE	SOIC	D	16	2500	Green (RoHS & no Sb/Br)	CU NIPDAU	Level-1-260C-UNLIM	-40 to 125	HC594	<a href="#">Samples</a>
SN74HC594DT	ACTIVE	SOIC	D	16	250	Green (RoHS & no Sb/Br)	CU NIPDAU	Level-1-260C-UNLIM	-40 to 125	HC594	<a href="#">Samples</a>
SN74HC594DTE4	ACTIVE	SOIC	D	16	250	Green (RoHS & no Sb/Br)	CU NIPDAU	Level-1-260C-UNLIM	-40 to 125	HC594	<a href="#">Samples</a>
SN74HC594DTG4	ACTIVE	SOIC	D	16	250	Green (RoHS & no Sb/Br)	CU NIPDAU	Level-1-260C-UNLIM	-40 to 125	HC594	<a href="#">Samples</a>
SN74HC594DW	ACTIVE	SOIC	DW	16	40	Green (RoHS & no Sb/Br)	CU NIPDAU	Level-1-260C-UNLIM	-40 to 125	HC594	<a href="#">Samples</a>
SN74HC594DWE4	ACTIVE	SOIC	DW	16	40	Green (RoHS & no Sb/Br)	CU NIPDAU	Level-1-260C-UNLIM	-40 to 125	HC594	<a href="#">Samples</a>
SN74HC594DWG4	ACTIVE	SOIC	DW	16	40	Green (RoHS & no Sb/Br)	CU NIPDAU	Level-1-260C-UNLIM	-40 to 125	HC594	<a href="#">Samples</a>
SN74HC594DWR	ACTIVE	SOIC	DW	16	2000	Green (RoHS & no Sb/Br)	CU NIPDAU   CU SN	Level-1-260C-UNLIM	-40 to 125	HC594	<a href="#">Samples</a>
SN74HC594DWRE4	ACTIVE	SOIC	DW	16	2000	Green (RoHS & no Sb/Br)	CU NIPDAU	Level-1-260C-UNLIM	-40 to 125	HC594	<a href="#">Samples</a>
SN74HC594DWRG4	ACTIVE	SOIC	DW	16	2000	Green (RoHS & no Sb/Br)	CU NIPDAU	Level-1-260C-UNLIM	-40 to 125	HC594	<a href="#">Samples</a>
SN74HC594N	ACTIVE	PDIP	N	16	25	Pb-Free (RoHS)	CU NIPDAU	N / A for Pkg Type	-40 to 125	SN74HC594N	<a href="#">Samples</a>
SN74HC594NE4	ACTIVE	PDIP	N	16	25	Pb-Free (RoHS)	CU NIPDAU	N / A for Pkg Type	-40 to 125	SN74HC594N	<a href="#">Samples</a>

(1) The marketing status values are defined as follows:

**ACTIVE:** Product device recommended for new designs.

**LIFEBUY:** TI has announced that the device will be discontinued, and a lifetime-buy period is in effect.

**NRND:** Not recommended for new designs. Device is in production to support existing customers, but TI does not recommend using this part in a new design.

**PREVIEW:** Device has been announced but is not in production. Samples may or may not be available.

**OBSOLETE:** TI has discontinued the production of the device.

(2) Eco Plan - The planned eco-friendly classification: Pb-Free (RoHS), Pb-Free (RoHS Exempt), or Green (RoHS & no Sb/Br) - please check <http://www.ti.com/productcontent> for the latest availability information and additional product content details.

**TBD:** The Pb-Free/Green conversion plan has not been defined.

**Pb-Free (RoHS):** TI's terms "Lead-Free" or "Pb-Free" mean semiconductor products that are compatible with the current RoHS requirements for all 6 substances, including the requirement that lead not exceed 0.1% by weight in homogeneous materials. Where designed to be soldered at high temperatures, TI Pb-Free products are suitable for use in specified lead-free processes.

**Pb-Free (RoHS Exempt):** This component has a RoHS exemption for either 1) lead-based flip-chip solder bumps used between the die and package, or 2) lead-based die adhesive used between the die and leadframe. The component is otherwise considered Pb-Free (RoHS compatible) as defined above.

**Green (RoHS & no Sb/Br):** TI defines "Green" to mean Pb-Free (RoHS compatible), and free of Bromine (Br) and Antimony (Sb) based flame retardants (Br or Sb do not exceed 0.1% by weight in homogeneous material)

(3) MSL, Peak Temp. - The Moisture Sensitivity Level rating according to the JEDEC industry standard classifications, and peak solder temperature.

(4) There may be additional marking, which relates to the logo, the lot trace code information, or the environmental category on the device.

(5) Multiple Device Markings will be inside parentheses. Only one Device Marking contained in parentheses and separated by a "~" will appear on a device. If a line is indented then it is a continuation of the previous line and the two combined represent the entire Device Marking for that device.

(6) Lead/Ball Finish - Orderable Devices may have multiple material finish options. Finish options are separated by a vertical ruled line. Lead/Ball Finish values may wrap to two lines if the finish value exceeds the maximum column width.

**Important Information and Disclaimer:** The information provided on this page represents TI's knowledge and belief as of the date that it is provided. TI bases its knowledge and belief on information provided by third parties, and makes no representation or warranty as to the accuracy of such information. Efforts are underway to better integrate information from third parties. TI has taken and continues to take reasonable steps to provide representative and accurate information but may not have conducted destructive testing or chemical analysis on incoming materials and chemicals. TI and TI suppliers consider certain information to be proprietary, and thus CAS numbers and other limited information may not be available for release.

In no event shall TI's liability arising out of such information exceed the total purchase price of the TI part(s) at issue in this document sold by TI to Customer on an annual basis.

**TAPE AND REEL INFORMATION**

**QUADRANT ASSIGNMENTS FOR PIN 1 ORIENTATION IN TAPE**


\*All dimensions are nominal

Device	Package Type	Package Drawing	Pins	SPQ	Reel Diameter (mm)	Reel Width W1 (mm)	A0 (mm)	B0 (mm)	K0 (mm)	P1 (mm)	W (mm)	Pin1 Quadrant
SN74HC594DR	SOIC	D	16	2500	330.0	16.4	6.5	10.3	2.1	8.0	16.0	Q1
SN74HC594DWR	SOIC	DW	16	2000	330.0	16.4	10.75	10.7	2.7	12.0	16.0	Q1
SN74HC594DWR	SOIC	DW	16	2000	330.0	16.4	10.75	10.7	2.7	12.0	16.0	Q1
SN74HC594DWRG4	SOIC	DW	16	2000	330.0	16.4	10.75	10.7	2.7	12.0	16.0	Q1

## TAPE AND REEL BOX DIMENSIONS



\*All dimensions are nominal

Device	Package Type	Package Drawing	Pins	SPQ	Length (mm)	Width (mm)	Height (mm)
SN74HC594DR	SOIC	D	16	2500	333.2	345.9	28.6
SN74HC594DWR	SOIC	DW	16	2000	367.0	367.0	38.0
SN74HC594DWR	SOIC	DW	16	2000	366.0	364.0	50.0
SN74HC594DWRG4	SOIC	DW	16	2000	367.0	367.0	38.0

N (R-PDIP-T\*\*)

PLASTIC DUAL-IN-LINE PACKAGE

16 PINS SHOWN



- NOTES:
- A. All linear dimensions are in inches (millimeters).
  - B. This drawing is subject to change without notice.
  - Falls within JEDEC MS-001, except 18 and 20 pin minimum body length (Dim A).
  - The 20 pin end lead shoulder width is a vendor option, either half or full width.

D (R-PDSO-G16)

PLASTIC SMALL OUTLINE



4040047-6/M 06/11

- NOTES:
- A. All linear dimensions are in inches (millimeters).
  - B. This drawing is subject to change without notice.
  -  Body length does not include mold flash, protrusions, or gate burrs. Mold flash, protrusions, or gate burrs shall not exceed 0.006 (0,15) each side.
  -  Body width does not include interlead flash. Interlead flash shall not exceed 0.017 (0,43) each side.
  - E. Reference JEDEC MS-012 variation AC.

D (R-PDSO-G16)

PLASTIC SMALL OUTLINE

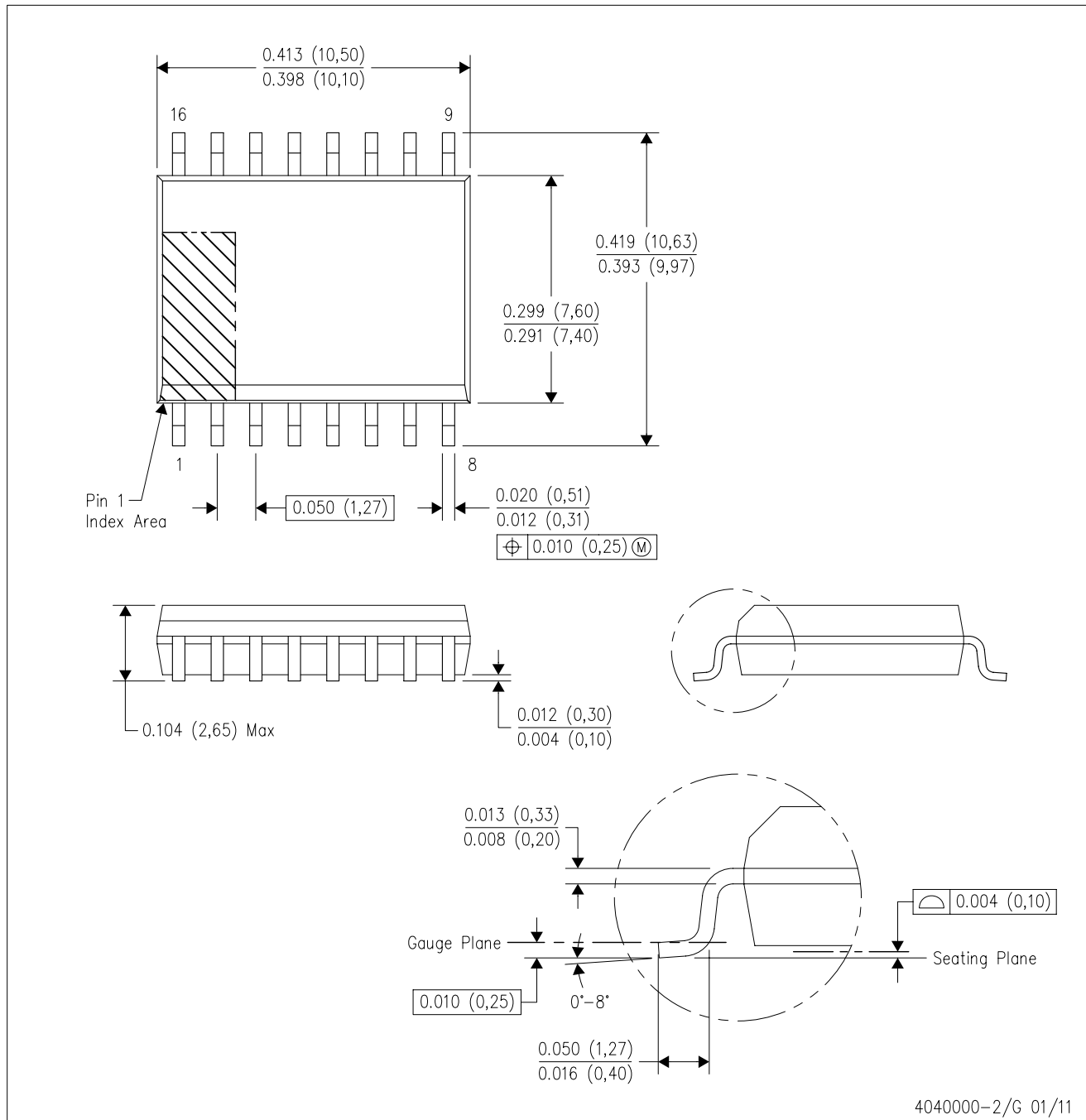


4211283-4/E 08/12

- NOTES:
- All linear dimensions are in millimeters.
  - This drawing is subject to change without notice.
  - Publication IPC-7351 is recommended for alternate designs.
  - Laser cutting apertures with trapezoidal walls and also rounding corners will offer better paste release. Customers should contact their board assembly site for stencil design recommendations. Refer to IPC-7525 for other stencil recommendations.
  - Customers should contact their board fabrication site for solder mask tolerances between and around signal pads.

DW (R-PDSO-G16)

PLASTIC SMALL OUTLINE

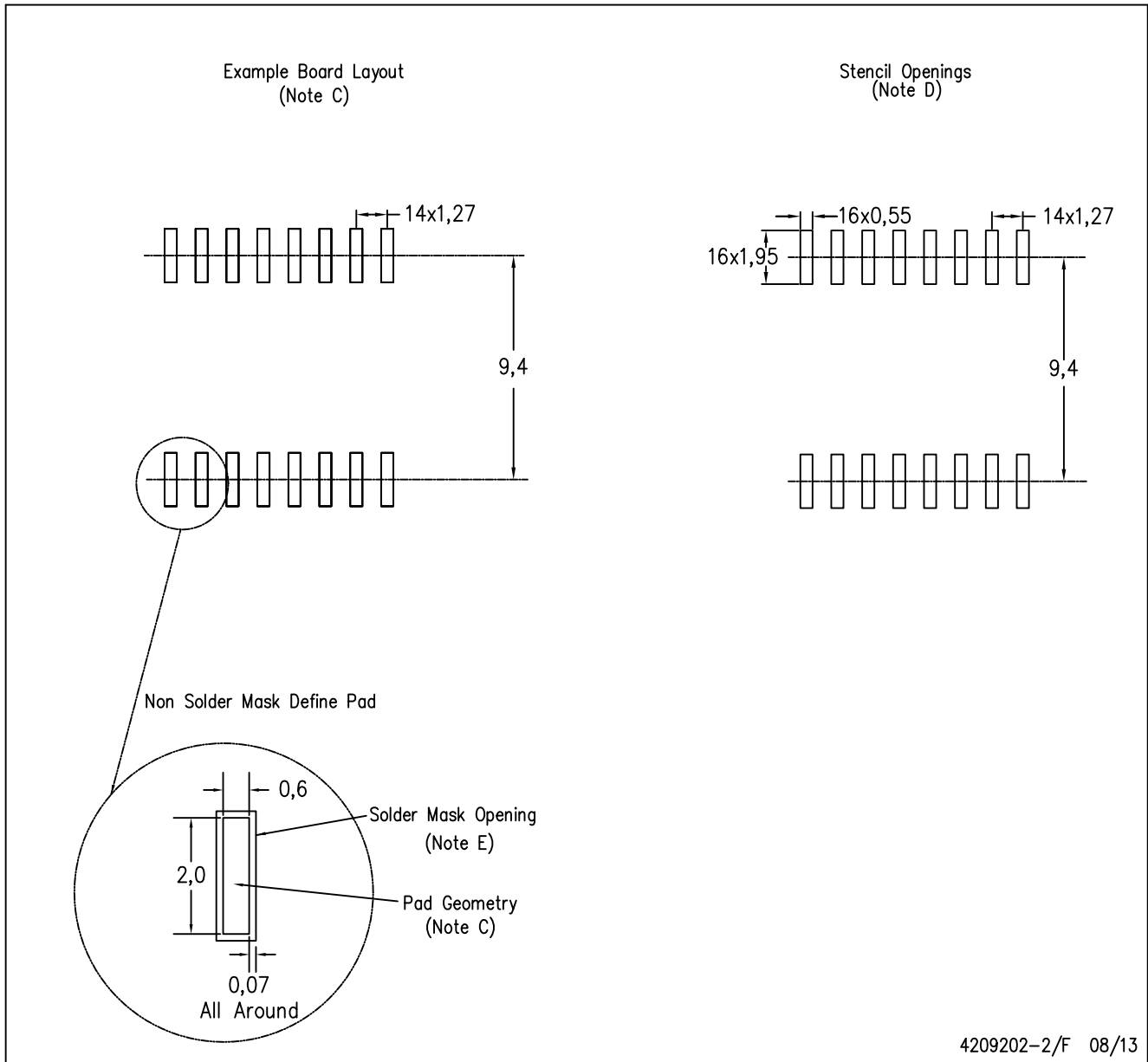


- NOTES:
- A. All linear dimensions are in inches (millimeters). Dimensioning and tolerancing per ASME Y14.5M-1994.
  - B. This drawing is subject to change without notice.
  - C. Body dimensions do not include mold flash or protrusion not to exceed 0.006 (0,15).
  - D. Falls within JEDEC MS-013 variation AA.



DW (R-PDSO-G16)

PLASTIC SMALL OUTLINE



4209202-2/F 08/13

- NOTES:
- A. All linear dimensions are in millimeters.
  - B. This drawing is subject to change without notice.
  - C. Refer to IPC7351 for alternate board design.
  - D. Laser cutting apertures with trapezoidal walls and also rounding corners will offer better paste release. Customers should contact their board assembly site for stencil design recommendations. Refer to IPC-7525
  - E. Customers should contact their board fabrication site for solder mask tolerances between and around signal pads.

## IMPORTANT NOTICE

Texas Instruments Incorporated and its subsidiaries (TI) reserve the right to make corrections, enhancements, improvements and other changes to its semiconductor products and services per JESD46, latest issue, and to discontinue any product or service per JESD48, latest issue. Buyers should obtain the latest relevant information before placing orders and should verify that such information is current and complete. All semiconductor products (also referred to herein as "components") are sold subject to TI's terms and conditions of sale supplied at the time of order acknowledgment.

TI warrants performance of its components to the specifications applicable at the time of sale, in accordance with the warranty in TI's terms and conditions of sale of semiconductor products. Testing and other quality control techniques are used to the extent TI deems necessary to support this warranty. Except where mandated by applicable law, testing of all parameters of each component is not necessarily performed.

TI assumes no liability for applications assistance or the design of Buyers' products. Buyers are responsible for their products and applications using TI components. To minimize the risks associated with Buyers' products and applications, Buyers should provide adequate design and operating safeguards.

TI does not warrant or represent that any license, either express or implied, is granted under any patent right, copyright, mask work right, or other intellectual property right relating to any combination, machine, or process in which TI components or services are used. Information published by TI regarding third-party products or services does not constitute a license to use such products or services or a warranty or endorsement thereof. Use of such information may require a license from a third party under the patents or other intellectual property of the third party, or a license from TI under the patents or other intellectual property of TI.

Reproduction of significant portions of TI information in TI data books or data sheets is permissible only if reproduction is without alteration and is accompanied by all associated warranties, conditions, limitations, and notices. TI is not responsible or liable for such altered documentation. Information of third parties may be subject to additional restrictions.

Resale of TI components or services with statements different from or beyond the parameters stated by TI for that component or service voids all express and any implied warranties for the associated TI component or service and is an unfair and deceptive business practice. TI is not responsible or liable for any such statements.

Buyer acknowledges and agrees that it is solely responsible for compliance with all legal, regulatory and safety-related requirements concerning its products, and any use of TI components in its applications, notwithstanding any applications-related information or support that may be provided by TI. Buyer represents and agrees that it has all the necessary expertise to create and implement safeguards which anticipate dangerous consequences of failures, monitor failures and their consequences, lessen the likelihood of failures that might cause harm and take appropriate remedial actions. Buyer will fully indemnify TI and its representatives against any damages arising out of the use of any TI components in safety-critical applications.

In some cases, TI components may be promoted specifically to facilitate safety-related applications. With such components, TI's goal is to help enable customers to design and create their own end-product solutions that meet applicable functional safety standards and requirements. Nonetheless, such components are subject to these terms.

No TI components are authorized for use in FDA Class III (or similar life-critical medical equipment) unless authorized officers of the parties have executed a special agreement specifically governing such use.

Only those TI components which TI has specifically designated as military grade or "enhanced plastic" are designed and intended for use in military/aerospace applications or environments. Buyer acknowledges and agrees that any military or aerospace use of TI components which have **not** been so designated is solely at the Buyer's risk, and that Buyer is solely responsible for compliance with all legal and regulatory requirements in connection with such use.

TI has specifically designated certain components as meeting ISO/TS16949 requirements, mainly for automotive use. In any case of use of non-designated products, TI will not be responsible for any failure to meet ISO/TS16949.

### Products

Audio	<a href="http://www.ti.com/audio">www.ti.com/audio</a>
Amplifiers	<a href="http://amplifier.ti.com">amplifier.ti.com</a>
Data Converters	<a href="http://dataconverter.ti.com">dataconverter.ti.com</a>
DLP® Products	<a href="http://www.dlp.com">www.dlp.com</a>
DSP	<a href="http://dsp.ti.com">dsp.ti.com</a>
Clocks and Timers	<a href="http://www.ti.com/clocks">www.ti.com/clocks</a>
Interface	<a href="http://interface.ti.com">interface.ti.com</a>
Logic	<a href="http://logic.ti.com">logic.ti.com</a>
Power Mgmt	<a href="http://power.ti.com">power.ti.com</a>
Microcontrollers	<a href="http://microcontroller.ti.com">microcontroller.ti.com</a>
RFID	<a href="http://www.ti-rfid.com">www.ti-rfid.com</a>
OMAP Applications Processors	<a href="http://www.ti.com/omap">www.ti.com/omap</a>
Wireless Connectivity	<a href="http://www.ti.com/wirelessconnectivity">www.ti.com/wirelessconnectivity</a>

### Applications

Automotive and Transportation	<a href="http://www.ti.com/automotive">www.ti.com/automotive</a>
Communications and Telecom	<a href="http://www.ti.com/communications">www.ti.com/communications</a>
Computers and Peripherals	<a href="http://www.ti.com/computers">www.ti.com/computers</a>
Consumer Electronics	<a href="http://www.ti.com/consumer-apps">www.ti.com/consumer-apps</a>
Energy and Lighting	<a href="http://www.ti.com/energy">www.ti.com/energy</a>
Industrial	<a href="http://www.ti.com/industrial">www.ti.com/industrial</a>
Medical	<a href="http://www.ti.com/medical">www.ti.com/medical</a>
Security	<a href="http://www.ti.com/security">www.ti.com/security</a>
Space, Avionics and Defense	<a href="http://www.ti.com/space-avionics-defense">www.ti.com/space-avionics-defense</a>
Video and Imaging	<a href="http://www.ti.com/video">www.ti.com/video</a>

### TI E2E Community

[e2e.ti.com](http://e2e.ti.com)