

SN54ALS640B, SN54AS640, SN74ALS640B, SN74AS640 OCTAL BUS TRANSCEIVERS WITH 3-STATE OUTPUTS

SDAS122A – DECEMBER 1983 – REVISED JANUARY 1995

- Bidirectional Bus Transceivers in High-Density 20-Pin Packages
- Inverting Logic
- Package Options Include Plastic Small-Outline (DW) Packages, Ceramic Chip Carriers (FK), and Standard Plastic (N) and Ceramic (J) 300-mil DIPs

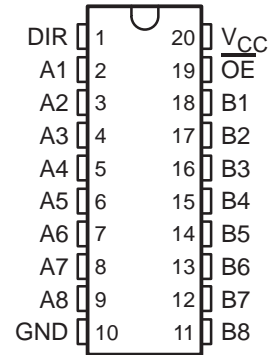
description

These octal bus transceivers are designed for asynchronous two-way communication between data buses. These devices transmit data from the A bus to the B bus or from the B bus to the A bus, depending upon the level at the direction-control (DIR) input. The output-enable (\overline{OE}) input can be used to disable the device so that the buses are effectively isolated.

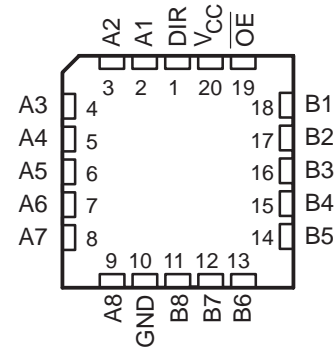
The -1 version of the SN74ALS640B is identical to the standard version, except that the recommended maximum I_{OL} for the -1 version is increased to 48 mA. There is no -1 version of the SN54ALS640B.

The SN54ALS640B and SN54AS640 are characterized for operation over the full military temperature range of -55°C to 125°C . The SN74ALS640B and SN74AS640 are characterized for operation from 0°C to 70°C .

SN54ALS640B, SN54AS640 . . . J PACKAGE
SN74ALS640B, SN74AS640 . . . DW OR N PACKAGE
(TOP VIEW)



SN54ALS640B, SN54AS640 . . . FK PACKAGE
(TOP VIEW)



FUNCTION TABLE

INPUTS		OPERATION
\overline{OE}	DIR	
L	L	\overline{B} data to A bus
L	H	\overline{A} data to B bus
H	X	Isolation

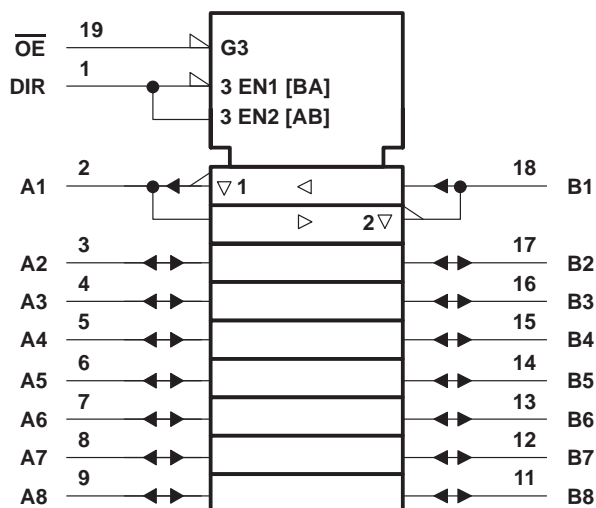
SN54ALS640B, SN54AS640, SN74ALS640B, SN74AS640

OCTAL BUS TRANSCEIVERS

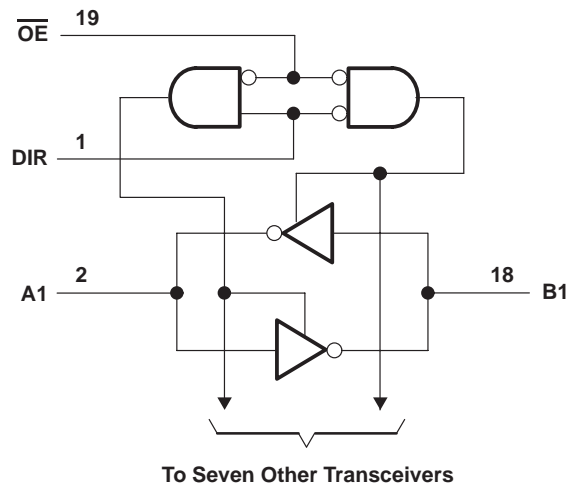
WITH 3-STATE OUTPUTS

SDAS122A – DECEMBER 1983 – REVISED JANUARY 1995

logic symbol†



logic diagram (positive logic)



† This symbol is in accordance with ANSI/IEEE Std 91-1984 and IEC Publication 617-12.

absolute maximum ratings over operating free-air temperature range (unless otherwise noted)‡

Supply voltage, V_{CC}	7 V
Input voltage, V_I : All inputs	7 V
I/O ports	5.5 V
Operating free-air temperature range, T_A : SN54ALS640B	-55°C to 125°C
SN74ALS640B	0°C to 70°C
Storage temperature range	-65°C to 150°C

‡ Stresses beyond those listed under “absolute maximum ratings” may cause permanent damage to the device. These are stress ratings only, and functional operation of the device at these or any other conditions beyond those indicated under “recommended operating conditions” is not implied. Exposure to absolute-maximum-rated conditions for extended periods may affect device reliability.

recommended operating conditions

	SN54ALS640B			SN74ALS640B			UNIT
	MIN	NOM	MAX	MIN	NOM	MAX	
V_{CC} Supply voltage	4.5	5	5.5	4.5	5	5.5	V
V_{IH} High-level input voltage	2			2			V
V_{IL} Low-level input voltage			0.7			0.8	V
I_{OH} High-level output current			-12			-15	mA
I_{OL} Low-level output current			12			24	mA
						48§	
T_A Operating free-air temperature	-55		125	0		70	°C

§ Applies only to the -1 version and only if V_{CC} is between 4.75 V and 5.25 V

SN54ALS640B, SN54AS640, SN74ALS640B, SN74AS640 OCTAL BUS TRANSCEIVERS WITH 3-STATE OUTPUTS

SDAS122A – DECEMBER 1983 – REVISED JANUARY 1995

electrical characteristics over recommended operating free-air temperature range (unless otherwise noted)

PARAMETER	TEST CONDITIONS		SN54ALS640B		SN74ALS640B		UNIT		
			MIN	TYP†	MAX	MIN		TYP†	MAX
V_{IK}	$V_{CC} = 4.5\text{ V}$, $I_I = -18\text{ mA}$		-1.5		-1.5		V		
V_{OH}	$V_{CC} = 4.5\text{ V to }5.5\text{ V}$, $I_{OH} = -0.4\text{ mA}$		$V_{CC} - 2$		$V_{CC} - 2$		V		
	$V_{CC} = 4.5\text{ V}$	$I_{OH} = -3\text{ mA}$	2.4	3.2	2.4	3.2			
		$I_{OH} = -12\text{ mA}$	2						
V_{OL}	$V_{CC} = 4.5\text{ V}$	$I_{OL} = 12\text{ mA}$	0.25	0.4	0.25	0.4	V		
		$I_{OL} = 24\text{ mA}$			0.35	0.5			
		$I_{OL} = 48\text{ mA}^\ddagger$			0.35	0.5			
I_I	Control inputs	$V_{CC} = 5.5\text{ V}$	$V_I = 7\text{ V}$		0.1		mA		
	A or B ports		$V_I = 5.5\text{ V}$		0.1				
I_{IH}	Control inputs	$V_{CC} = 5.5\text{ V}$	$V_I = 2.7\text{ V}$		20		μA		
	A or B ports§				20				
I_{IL}	Control inputs	$V_{CC} = 5.5\text{ V}$	$V_I = 0.4\text{ V}$		-0.1		mA		
	A or B ports§				-0.1				
I_{O}^\parallel	$V_{CC} = 5.5\text{ V}$, $V_O = 2.25\text{ V}$		-20	-112	-30	-112	mA		
I_{CC}	$V_{CC} = 5.5\text{ V}$		Outputs high		19	50	19	45	mA
			Outputs low		27	60	27	55	
			Outputs disabled		28	55	28	50	

† All typical values are at $V_{CC} = 5\text{ V}$, $T_A = 25^\circ\text{C}$.

‡ Applies only to the -1 version and only if V_{CC} is between 4.75 V and 5.25 V

§ For I/O ports, the parameters I_{IH} and I_{IL} include the off-state output current.

¶ The output conditions have been chosen to produce a current that closely approximates one half of the true short-circuit output current, I_{OS} .

switching characteristics (see Figure 1)

PARAMETER	FROM (INPUT)	TO (OUTPUT)	$V_{CC} = 4.5\text{ V to }5.5\text{ V}$, $C_L = 50\text{ pF}$, $R_1 = 500\ \Omega$, $R_2 = 500\ \Omega$, $T_A = \text{MIN to MAX}^\#$				UNIT
			SN54ALS640B		SN74ALS640B		
			MIN	MAX	MIN	MAX	
t_{PLH}	A or B	B or A	2	14	2	11	ns
t_{PHL}			2	13	2	10	
t_{PZH}	\overline{OE}	A or B	4	25	4	21	ns
t_{PZL}			5	27	5	24	
t_{PHZ}	\overline{OE}	A or B	2	12	2	10	ns
t_{PLZ}			3	20	3	15	

For conditions shown as MIN or MAX, use the appropriate value specified under recommended operating conditions.

SN54ALS640B, SN54AS640, SN74ALS640B, SN74AS640

OCTAL BUS TRANSCEIVERS

WITH 3-STATE OUTPUTS

SDAS122A – DECEMBER 1983 – REVISED JANUARY 1995

absolute maximum ratings over operating free-air temperature range (unless otherwise noted)†

Supply voltage, V_{CC}	7 V
Input voltage, V_I : All inputs	7 V
I/O ports	5.5 V
Operating free-air temperature range, T_A : SN54AS640	-55°C to 125°C
SN74AS640	0°C to 70°C
Storage temperature range	-65°C to 150°C

† Stresses beyond those listed under “absolute maximum ratings” may cause permanent damage to the device. These are stress ratings only, and functional operation of the device at these or any other conditions beyond those indicated under “recommended operating conditions” is not implied. Exposure to absolute-maximum-rated conditions for extended periods may affect device reliability.

recommended operating conditions

		SN54AS640			SN74AS640			UNIT
		MIN	NOM	MAX	MIN	NOM	MAX	
V_{CC}	Supply voltage	4.5	5	5.5	4.5	5	5.5	V
V_{IH}	High-level input voltage	2			2			V
V_{IL}	Low-level input voltage			0.8			0.8	V
I_{OH}	High-level output current			-12			-15	mA
I_{OL}	Low-level output current			48			64	mA
T_A	Operating free-air temperature	-55		125	0		70	°C

electrical characteristics over recommended operating free-air temperature range (unless otherwise noted)

PARAMETER	TEST CONDITIONS	SN54AS640			SN74AS640			UNIT
		MIN	TYP‡	MAX	MIN	TYP‡	MAX	
V_{IK}	$V_{CC} = 4.5$ V, $I_I = -18$ mA			-1.2			-1.2	V
V_{OH}	$V_{CC} = 4.5$ V, $I_{OH} = -2$ mA	$V_{CC} - 2$						V
	$V_{CC} = 4.5$ V to 5.5 V, $I_{OH} = -2$ mA				$V_{CC} - 2$			
	$V_{CC} = 4.5$ V	$I_{OH} = -3$ mA	2.4	3.2		2.4	3.2	
		$I_{OH} = -12$ mA	2.4					
V_{OL}	$V_{CC} = 4.5$ V	$I_{OL} = 48$ mA	0.3	0.55			V	
		$I_{OL} = 64$ mA				0.35		0.55
I_I	Control inputs	$V_{CC} = 5.5$ V	$V_I = 7$ V			0.1	mA	
	A or B ports		$V_I = 5.5$ V			0.1		
I_{IH}	Control inputs	$V_{CC} = 5.5$ V,	$V_I = 2.7$ V			20	μ A	
	A or B ports§					70		70
I_{IL}	Control inputs	$V_{CC} = 5.5$ V,	$V_I = 0.4$ V			-0.5	mA	
	A or B ports§					-0.75		-0.75
I_{O}^{\parallel}	$V_{CC} = 5.5$ V, $V_O = 2.25$ V			-50		-150	mA	
I_{CC}	$V_{CC} = 5.5$ V	Outputs high		37	58		37	58
		Outputs low		78	123		78	123
		Outputs disabled		51	80		51	80

‡ All typical values are at $V_{CC} = 5$ V, $T_A = 25^\circ$ C.

§ For I/O ports, the parameters I_{IH} and I_{IL} include the off-state output current.

¶ The output conditions have been chosen to produce a current that closely approximates one half of the true short-circuit output current, I_{OS} .



SN54ALS640B, SN54AS640, SN74ALS640B, SN74AS640
OCTAL BUS TRANSCEIVERS
WITH 3-STATE OUTPUTS

SDAS122A – DECEMBER 1983 – REVISED JANUARY 1995

switching characteristics (see Figure 1)

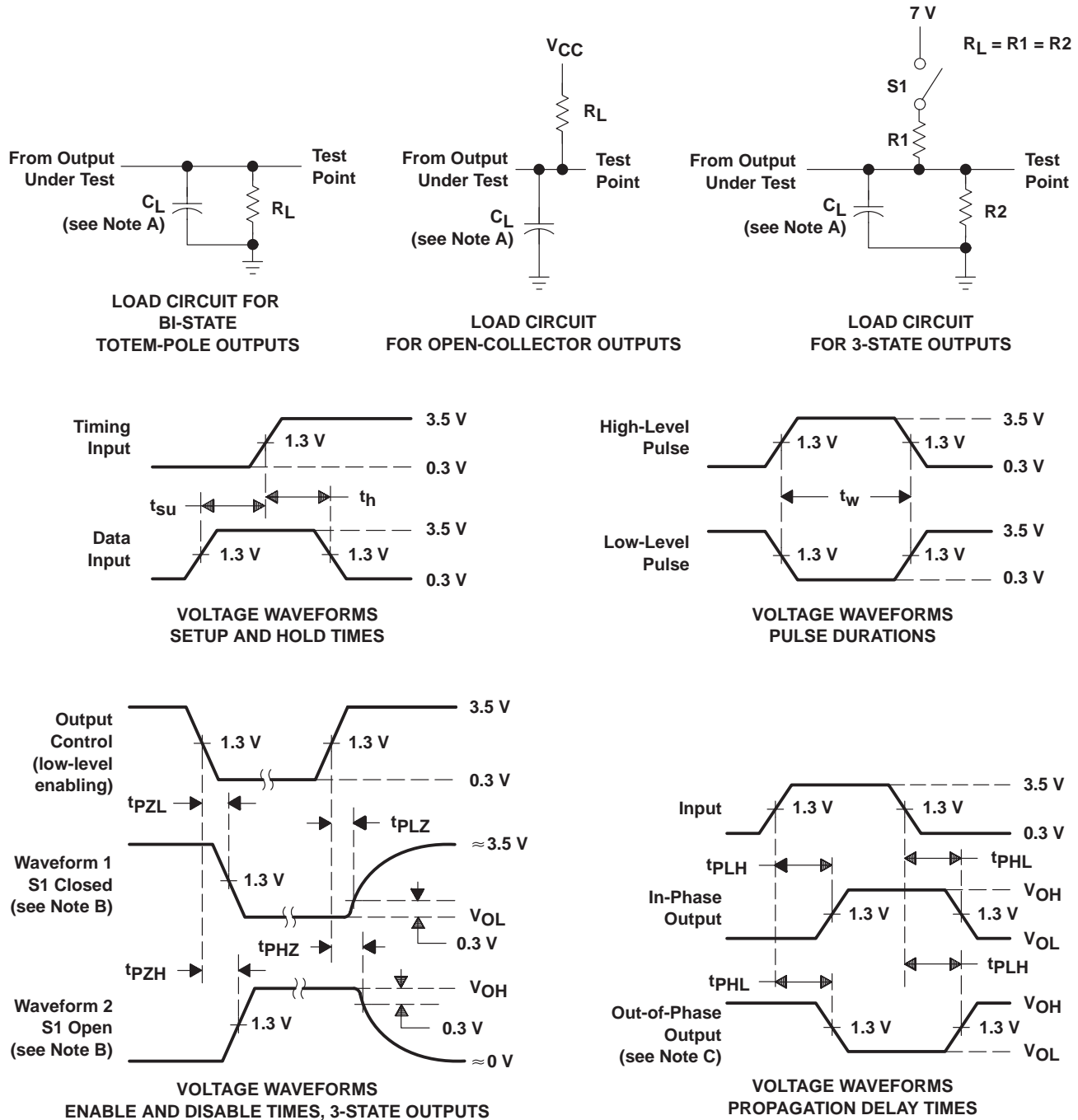
PARAMETER	FROM (INPUT)	TO (OUTPUT)	V _{CC} = 4.5 V to 5.5 V, C _L = 50 pF, R ₁ = 500 Ω, R ₂ = 500 Ω, T _A = MIN to MAX†				UNIT
			SN54AS640		SN74AS640		
			MIN	MAX	MIN	MAX	
t _{PLH}	A or B	B or A	1	8	2	7	ns
t _{PHL}			1	7	2	6	
t _{PZH}	\overline{OE}	A or B	2	10	2	8	ns
t _{PZL}			2	12	2	10	
t _{PHZ}	\overline{OE}	A or B	2	9	2	8	ns
t _{PLZ}			2	16	2	13	

† For conditions shown as MIN or MAX, use the appropriate value specified under recommended operating conditions.

SN54ALS640B, SN54AS640, SN74ALS640B, SN74AS640 OCTAL BUS TRANSCEIVERS WITH 3-STATE OUTPUTS

SDAS122A – DECEMBER 1983 – REVISED JANUARY 1995

PARAMETER MEASUREMENT INFORMATION SERIES 54ALS/74ALS AND 54AS/74AS DEVICES



- NOTES: A. C_L includes probe and jig capacitance.
 B. Waveform 1 is for an output with internal conditions such that the output is low except when disabled by the output control. Waveform 2 is for an output with internal conditions such that the output is high except when disabled by the output control.
 C. When measuring propagation delay items of 3-state outputs, switch S1 is open.
 D. All input pulses have the following characteristics: $PRR \leq 1$ MHz, $t_r = t_f = 2$ ns, duty cycle = 50%.
 E. The outputs are measured one at a time with one transition per measurement.

Figure 1. Load Circuits and Voltage Waveforms



IMPORTANT NOTICE

Texas Instruments and its subsidiaries (TI) reserve the right to make changes to their products or to discontinue any product or service without notice, and advise customers to obtain the latest version of relevant information to verify, before placing orders, that information being relied on is current and complete. All products are sold subject to the terms and conditions of sale supplied at the time of order acknowledgement, including those pertaining to warranty, patent infringement, and limitation of liability.

TI warrants performance of its semiconductor products to the specifications applicable at the time of sale in accordance with TI's standard warranty. Testing and other quality control techniques are utilized to the extent TI deems necessary to support this warranty. Specific testing of all parameters of each device is not necessarily performed, except those mandated by government requirements.

CERTAIN APPLICATIONS USING SEMICONDUCTOR PRODUCTS MAY INVOLVE POTENTIAL RISKS OF DEATH, PERSONAL INJURY, OR SEVERE PROPERTY OR ENVIRONMENTAL DAMAGE ("CRITICAL APPLICATIONS"). TI SEMICONDUCTOR PRODUCTS ARE NOT DESIGNED, AUTHORIZED, OR WARRANTED TO BE SUITABLE FOR USE IN LIFE-SUPPORT DEVICES OR SYSTEMS OR OTHER CRITICAL APPLICATIONS. INCLUSION OF TI PRODUCTS IN SUCH APPLICATIONS IS UNDERSTOOD TO BE FULLY AT THE CUSTOMER'S RISK.

In order to minimize risks associated with the customer's applications, adequate design and operating safeguards must be provided by the customer to minimize inherent or procedural hazards.

TI assumes no liability for applications assistance or customer product design. TI does not warrant or represent that any license, either express or implied, is granted under any patent right, copyright, mask work right, or other intellectual property right of TI covering or relating to any combination, machine, or process in which such semiconductor products or services might be or are used. TI's publication of information regarding any third party's products or services does not constitute TI's approval, warranty or endorsement thereof.