

THIS DRAWING IS UNPUBLISHED.

RELEASED FOR PUBLICATION

ALL RIGHTS RESERVED.

© COPYRIGHT - By TE Connectivity

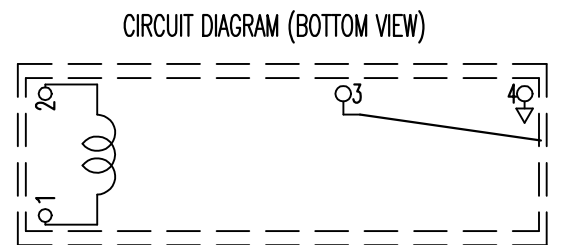
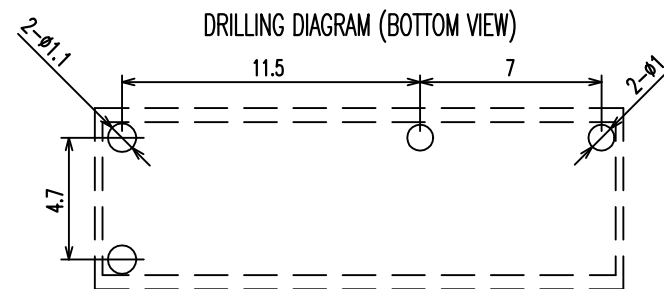
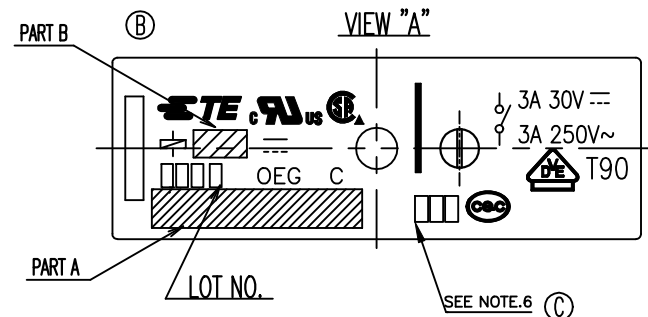
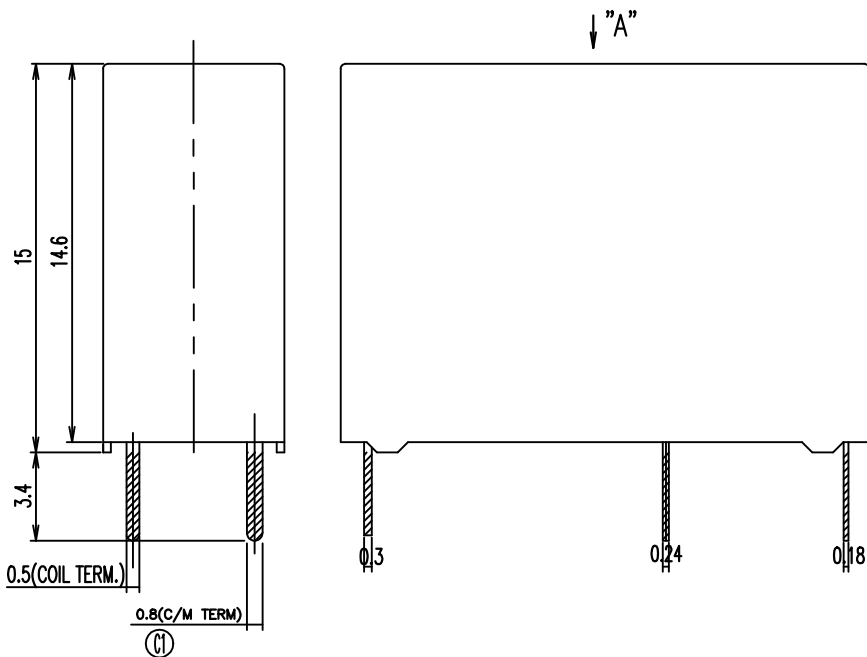
LOC HB

DIST -

REVISIONS

P	LTR	DESCRIPTION	DATE	DWN	APVD
2		ADD NEW PN FOR THIS DRAWING	ECO-18-018147	22-Nov-18	M.H K.T

DIAGRAM DIMENSION	TOLERANCE
0.99mm max.	±0.1mm
1 - 2.99mm	±0.2mm
3mm min.	±0.3mm



NOTE:

1. LOT NO SYSTEM AS FOLLOWING:



WEEK  
YEAR

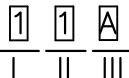
2. TERMINAL DIMENSION IS BEFORE SOLDER DIP.

3. ONE CHARACTER DISTINGUISH THE LINE IDENTITY, SUCH AS: A, B...

4. FOR THE TIN-PLATING OF THE PINS:  
+0.1mm FOR WIDTH, THICKNESS AND DIAMETER.  
+0.5mm FOR LENGTH.

5. MARKING FROM INK CHANGE TO LASER

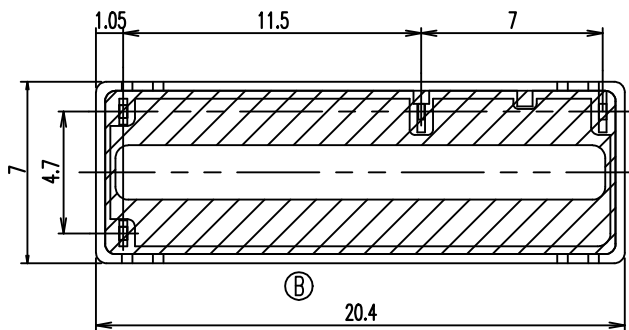
6. ADD LOT NO. SYSTEM AS FOLLOWING;



I. DIGITS FOR DAY OF THE WEEK  
 1...MONDAY IN THIS WEEK;  
 2...TUESDAY IN THIS WEEK;  
 .....  
 7...SUNDAY IN THIS WEEK

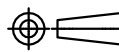
II. DIGITS FOR SHIFT OF THE DAY  
 1...DAY SHIFT IN THIS DAY;  
 2...NIGHT SHIFT IN THIS DAY;

III. ONE CHARACTER DISTINGUISH THE LINE IDENTITY, SUCH AS: A,B.....Z



THIS DRAWING IS A CONTROLLED DOCUMENT.

DIMENSIONS: mm



MATERIAL

TOLERANCES UNLESS OTHERWISE SPECIFIED:

0 PLC	± -
1 PLC	± -
2 PLC	± -
3 PLC	± -
4 PLC	± -
ANGLES	± -
FINISH	-

DWN FENGSHENG.HU

CHK BANGHUA.YU

APVD SUNNY.ZHANG

PRODUCT SPEC

APPLICATION SPEC

WEIGHT

CUSTOMER DRAWING



TE Connectivity

NAME

PCJ SPEC ,301Y

SIZE

CAGE CODE

DRAWING NO

RESTRICTED TO

A3

00779

C=1721142

SCALE 5:1

SHEET

1 of 2

REV C2

THIS DRAWING IS UNPUBLISHED.

RELEASED FOR PUBLICATION

-. - .

© COPYRIGHT - By TE Connectivity

ALL RIGHTS RESERVED.

LOC HB DIST -

REVISIONS

P	LTR	DESCRIPTION	DATE	DWN	APVD
-	-	SEE SHEET 1	-	-	-

No.	EC TYPE NAME	TE PART NO	PACKING SPECIFICATION	DESCRIPTION	PART B	PART A
Ⓟ p	PCJ-112D3M ,0002M	1721142-6	107-84035 (TRAY)		12V	PCJ-112D3M
Ⓟ o	PCJ-112D3M ,0002M	2-1721142-9	107-84035 (TRAY)		12V	PCJ-112D3M
n	PCJ-124D3MH ,301Y	2-1721142-8	107-79014 (TRAY)	SEAL UP INSPECTION ON EVERY PRODUCT	24V	PCJ-124D3MH
m	PCJ-118D3MH ,301Y	-	107-79014 (TRAY)	SEAL UP INSPECTION ON EVERY PRODUCT	18V	PCJ-118D3MH
l	PCJ-112D3MH ,301Y	2-1721142-6	107-79014 (TRAY)	SEAL UP INSPECTION ON EVERY PRODUCT	12V	PCJ-112D3MH
k	PCJ-109D3MH ,301Y	-	107-79014 (TRAY)	SEAL UP INSPECTION ON EVERY PRODUCT	9V	PCJ-109D3MH
j	PCJ-106D3MH ,301Y	-	107-79014 (TRAY)	SEAL UP INSPECTION ON EVERY PRODUCT	6V	PCJ-106D3MH
i	PCJ-105D3MH ,301Y	-	107-79014 (TRAY)	SEAL UP INSPECTION ON EVERY PRODUCT	5V	PCJ-105D3MH
h	PCJ-103D3MH ,301Y	-	107-79014 (TRAY)	SEAL UP INSPECTION ON EVERY PRODUCT	3V	PCJ-103D3MH
g	PCJ-124D3M ,301Y	2-1721142-1	107-79014 (TRAY)		24V	PCJ-124D3M
f	PCJ-118D3M ,301Y	-	107-79014 (TRAY)		18V	PCJ-118D3M
e	PCJ-112D3M ,301Y	1-1721142-9	107-79014 (TRAY)		12V	PCJ-112D3M
d	PCJ-109D3M ,301Y	-	107-79014 (TRAY)		9V	PCJ-109D3M
c	PCJ-106D3M ,301Y	-	107-79014 (TRAY)		6V	PCJ-106D3M
b	PCJ-105D3M ,301Y	-	107-79014 (TRAY)		5V	PCJ-105D3M
a	PCJ-103D3M ,301Y	-	107-79014 (TRAY)		3V	PCJ-103D3M

RELAY TYPE

		Sn-Ag-Cu	SOLDER	18
94V-0		PBT	CASE	17
		UV	SEAL(CASE) JUST FOR WASH TIGHT	16
		EPOXY	SEAL(CASE AND BASE)	15
		3UEW	MAGNETIC WIRE	14
94V-0		PBT	CARD	13
		Ag ALLOY	STATIONARY CONTACT	12
	SOLDER DIP	Cu ALLOY	STATIONARY TERMINAL	11
		Ag ALLOY	MOVABLE CONTACT	10
	SOLDER DIP	Cu ALLOY	MOVABLE SPRING	9
94V-0		PBT	BASE	8
		STAINLESS	HINGE SPRING	7
		NIP	ARMATURE	6
		NIP	CORE	5
		NIP	YOKE	4
	SOLDER DIP	Cu ALLOY	COIL TERMINAL B	3
	SOLDER DIP	Cu ALLOY	COIL TERMINAL A	2
94V-0		PBT	BOBBIN	1
INCOMBUSTIBILITY	TREATMENT	MATERIAL	DESCRIPTION	ITEM

THIS DRAWING IS A CONTROLLED DOCUMENT.

DIMENSIONS: mm



TOLERANCES UNLESS OTHERWISE SPECIFIED:

0 PLC	± -
1 PLC	± -
2 PLC	± -
3 PLC	± -
4 PLC	± -
4 BLC ANGLES	± -

MATERIAL -

FINISH -

DWN FENGSHENG.HU

CHK BANGHUA.YU

APVD SUNNY.ZHANG

PRODUCT SPEC -

APPLICATION SPEC -

WEIGHT -

CUSTOMER DRAWING



TE Connectivity

NAME				RESTRICTED TO	
PCJ SPEC ,301Y					
SIZE	CAGE CODE	DRAWING NO			
A3	00779	C=1721142			
SCALE		SHEET		REV	
5:1		2 of 2		C2	