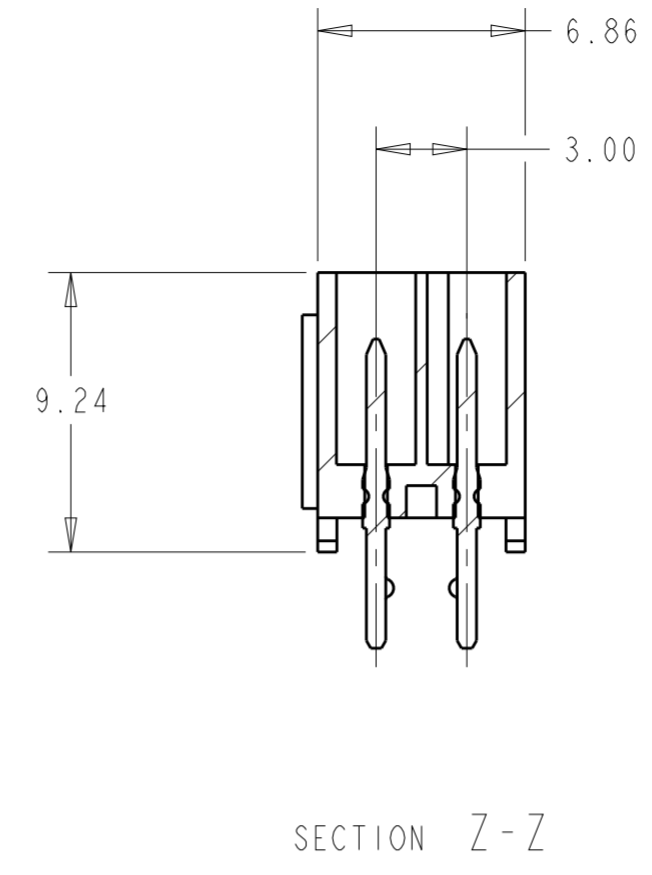
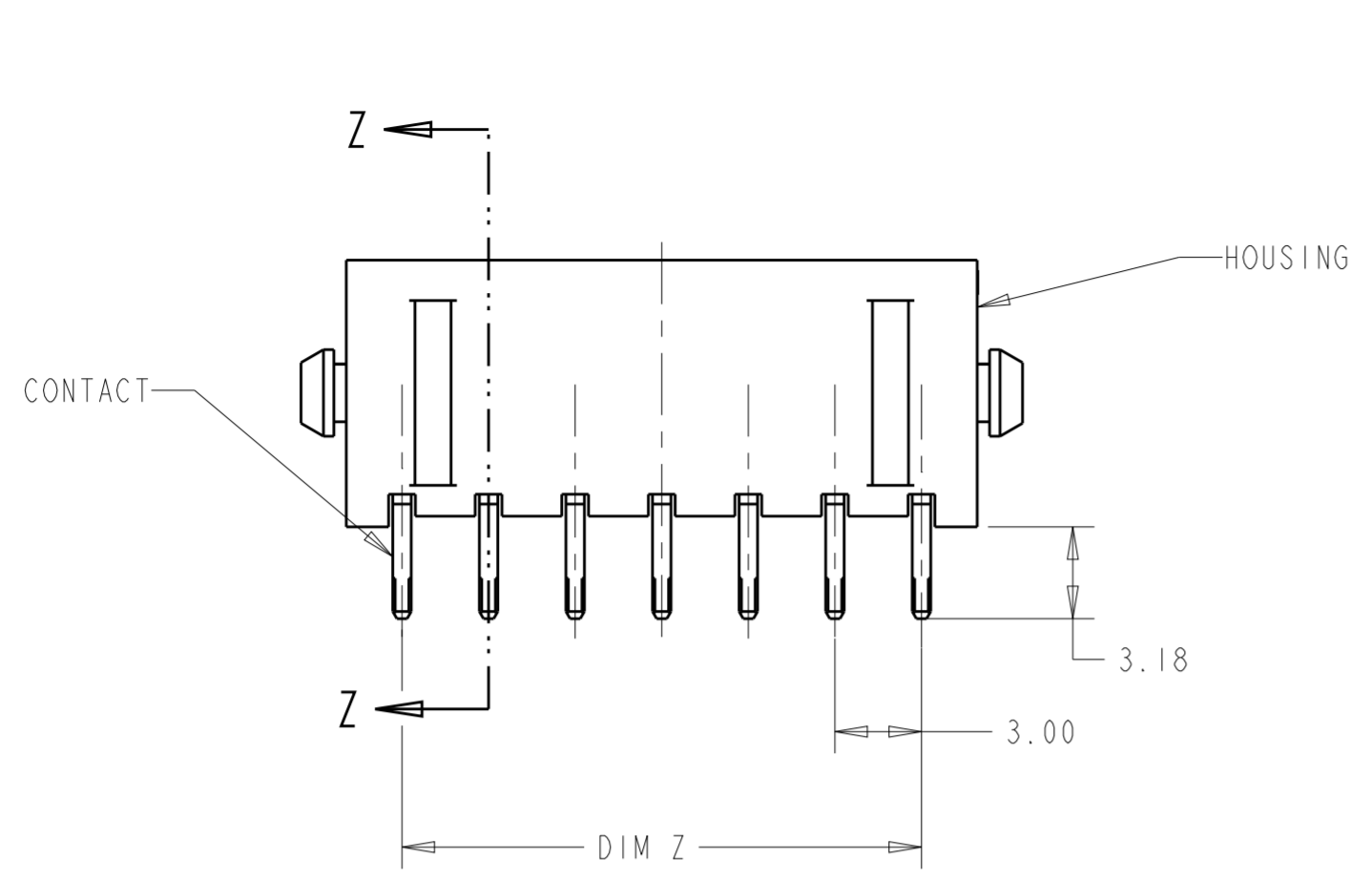
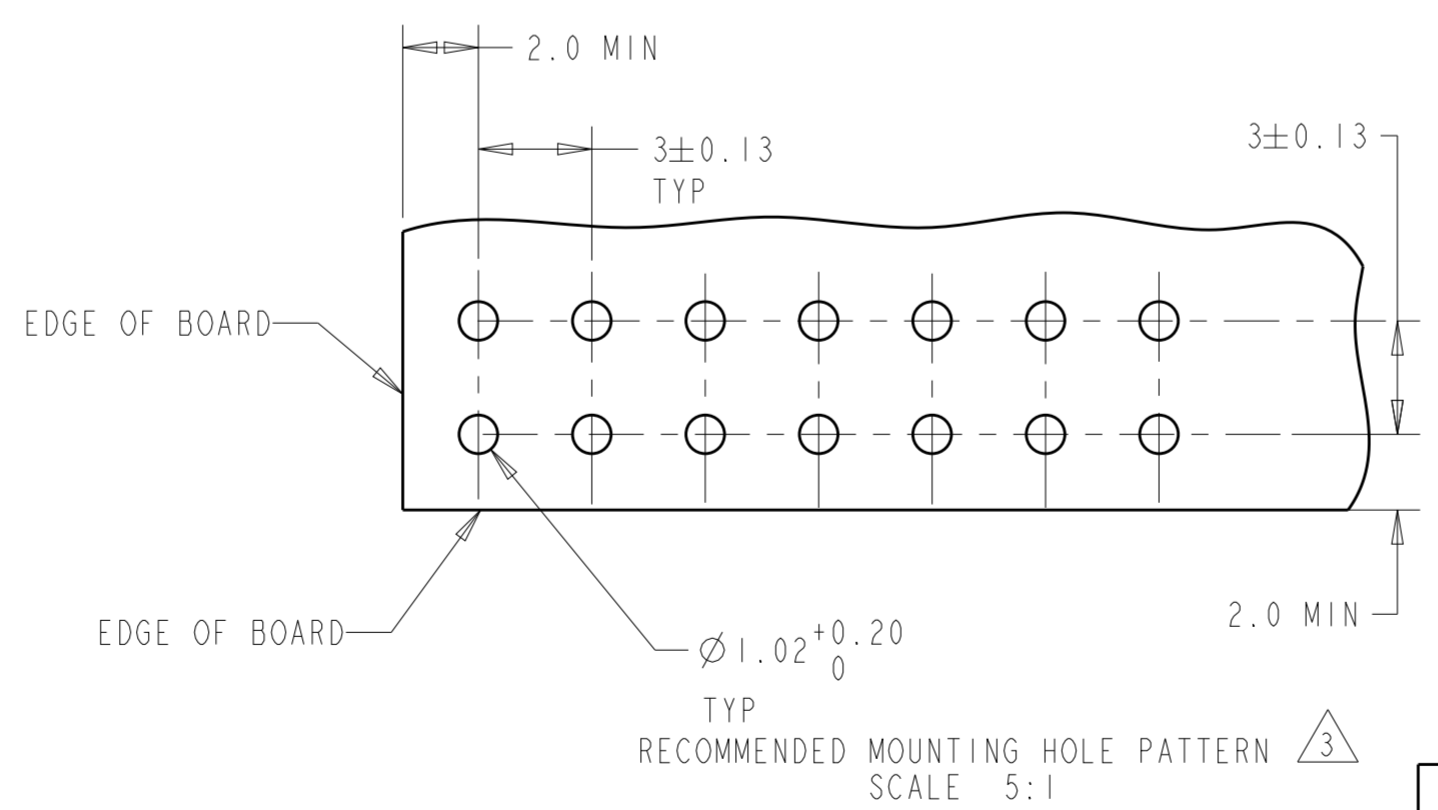
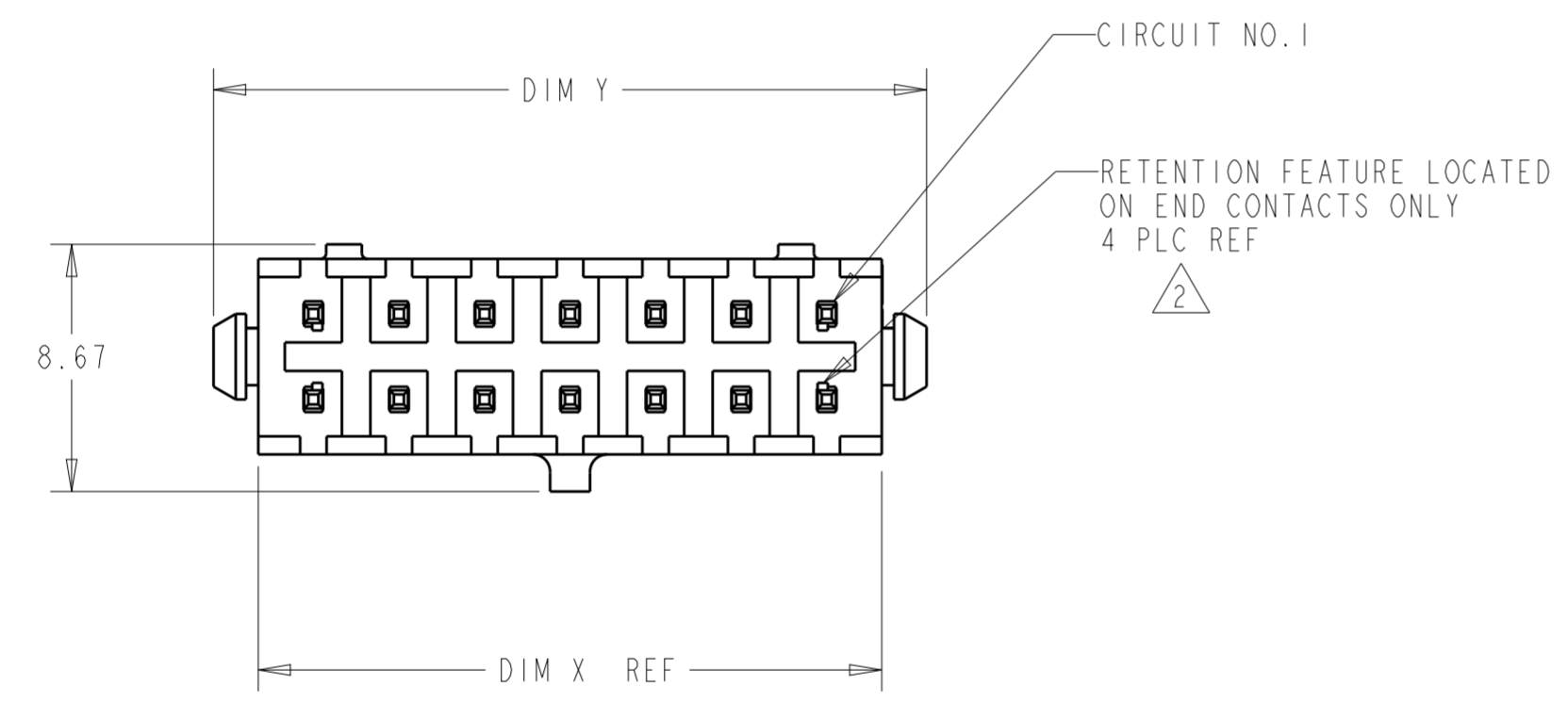


THIS DRAWING IS UNPUBLISHED. RELEASED FOR PUBLICATION  
 © COPYRIGHT 20 BY - ALL RIGHTS RESERVED.

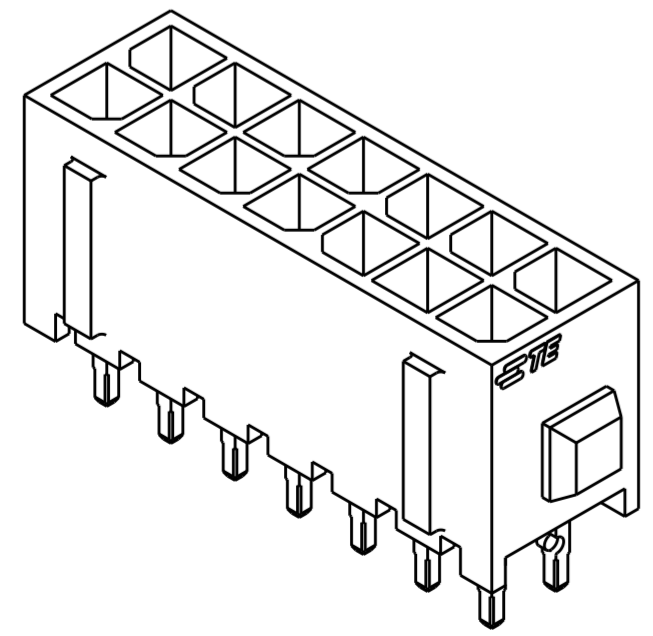
REVISIONS				
P	LTR	DESCRIPTION	DATE	APVD
F1		REVISED PER ECR-16-011494	21JUN2017	NK CX
F2		ECO-19-006502	29APR2019	AP WS



- 1 MATERIAL: HOUSING - NYLON, UL 94V-0, BLACK.  
CONTACT - BRASS.  
0.00254 MINIMUM TIN LEAD OVER  
0.00127 MINIMUM NICKEL ALL OVER.
- 2 MAXIMUM INSERTION 20 LBS.
- 3 RECOMMENDED BOARD THICKNESS 1.57.
- 4 MATERIAL: HOUSING - NYLON, UL 94V-0, BLACK.  
CONTACT - BRASS.  
0.00254 MINIMUM TIN OVER  
0.00127 MINIMUM NICKEL ALL OVER.



4	40.00	33.00	36.86	24	5-794630-4
	37.00	30.00	33.86	22	5-794630-2
	34.00	27.00	30.86	20	5-794630-0
	31.00	24.00	27.86	18	4-794630-8
	28.00	21.00	24.86	16	4-794630-6
	25.00	18.00	21.86	14	4-794630-4
	22.00	15.00	18.86	12	4-794630-2
	19.00	12.00	15.86	10	4-794630-0
	16.00	9.00	12.86	8	3-794630-8
	13.00	6.00	9.86	6	3-794630-6
10.00	3.00	6.86	4	3-794630-4	
7.00	-	3.86	2	3-794630-2	
1	40.00	33.00	36.86	24	<del>2-794630-4</del>
	37.00	30.00	33.86	22	<del>2-794630-2</del>
	34.00	27.00	30.86	20	<del>2-794630-0</del>
	31.00	24.00	27.86	18	<del>1-794630-8</del>
	28.00	21.00	24.86	16	<del>1-794630-6</del>
	25.00	18.00	21.86	14	<del>1-794630-4</del>
	22.00	15.00	18.86	12	<del>1-794630-2</del>
	19.00	12.00	15.86	10	<del>1-794630-0</del>
	16.00	9.00	12.86	8	<del>794630-8</del>
	13.00	6.00	9.86	6	<del>794630-6</del>
10.00	3.00	6.86	4	<del>794630-4</del>	
7.00	-	3.86	2	<del>794630-2</del>	
FINISH	DIM Y	DIM Z	DIM X	NO. OF POSN.	ASSEMBLY



THIS DRAWING IS A CONTROLLED DOCUMENT.

DIMENSIONS: mm [INCHES]	TOLERANCES UNLESS OTHERWISE SPECIFIED: 0 PLC ± 1 PLC ± 2 PLC ±0.20 [0.008] 3 PLC ± 4 PLC ±	APVD C. JONES 20APR2005	NAME VERTICAL HEADER ASSEMBLY, THRU HOLE, TIN, DUAL ROW, MICRO MATE-N-LOK(TM)
MATERIAL 1	SEE TABLE	PRODUCT SPEC 108-1836 APPLICATION SPEC 114-13000	SIZE A2
CUSTOMER DRAWING		WEIGHT -	CAGE CODE 00779
SCALE 4:1		DRAWING NO. G-794630	RESTRICTED TO -
SHEET 1		OF 1	REV F2

TE Connectivity