

# Female insert - VS-MSTBVA 2,5/ 5-GB-5,08-BK-A - 1609565


Please be informed that the data shown in this PDF Document is generated from our Online Catalog. Please find the complete data in the user's documentation. Our General Terms of Use for Downloads are valid (<http://phoenixcontact.com/download>)



MSTB contact insert, for PCB assembly, 24 V, 5-pos., with straight solder pins, RAL 9005 (black), for panel mounting frame VS-PPC-F2-MSTB-...-1R-P



## Key Commercial Data

Packing unit	50 pc
GTIN	 4 046356 175876
GTIN	4046356175876

## Technical data

### Dimensions

Type	Male
Width	16.6 mm
Height	10.4 mm
Length	27.4 mm

### Ambient conditions

Ambient temperature (operation)	-40 °C ... 70 °C
---------------------------------	------------------

### General data

Note	This product corresponds to the PROFINET Cabling and Interconnection Technology Guideline for PROFINET regulations, version 2.00, order no: 2.252, Chapter 11 Connectors for 24 Volt Power Supply Cabling and Chapter 13 Application specific Cabling and Interconnection Technology (AIDA)
Number of positions	5
Alternative short product description	Contact insert for PCB mounting
Rated voltage (III/3)	24 V
Connection method	Printed circuit connection
Contact material	Copper alloy
Contact carrier material	PA

# Female insert - VS-MSTBVA 2,5/ 5-GB-5,08-BK-A - 1609565

## Technical data

### General data

Contact surface material	Gold over nickel
Rated current	16 A

### Characteristics head 2

Color	black
-------	-------

### Standards and Regulations

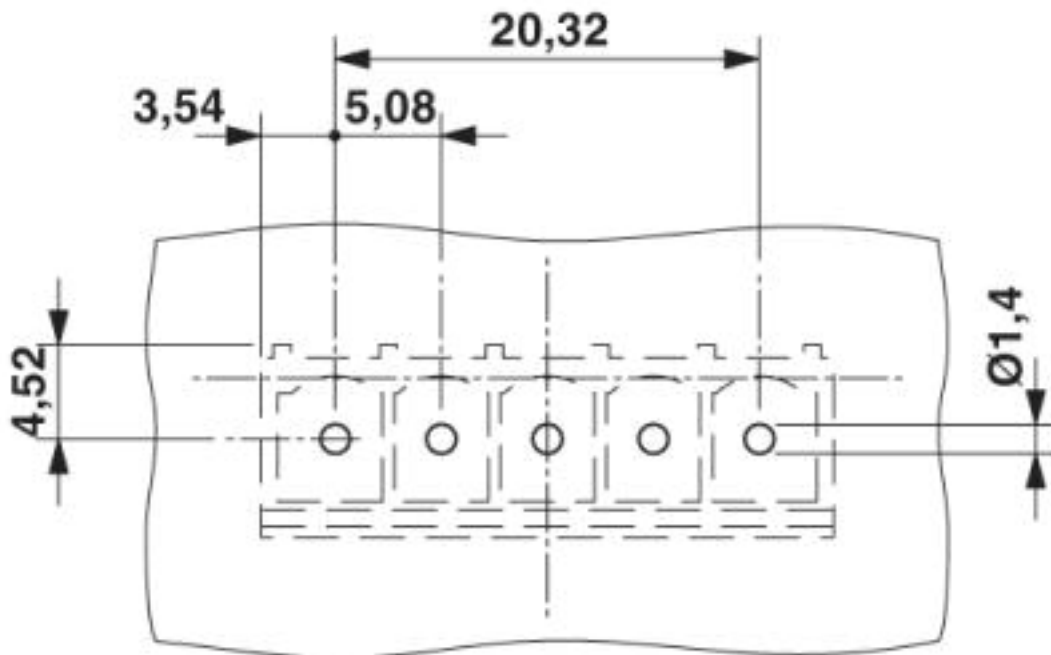
Connection in acc. with standard	CUL
Flammability rating according to UL 94	V0

### Environmental Product Compliance

China RoHS	Environmentally friendly use period: unlimited = EFUP-e
	No hazardous substances above threshold values

## Drawings

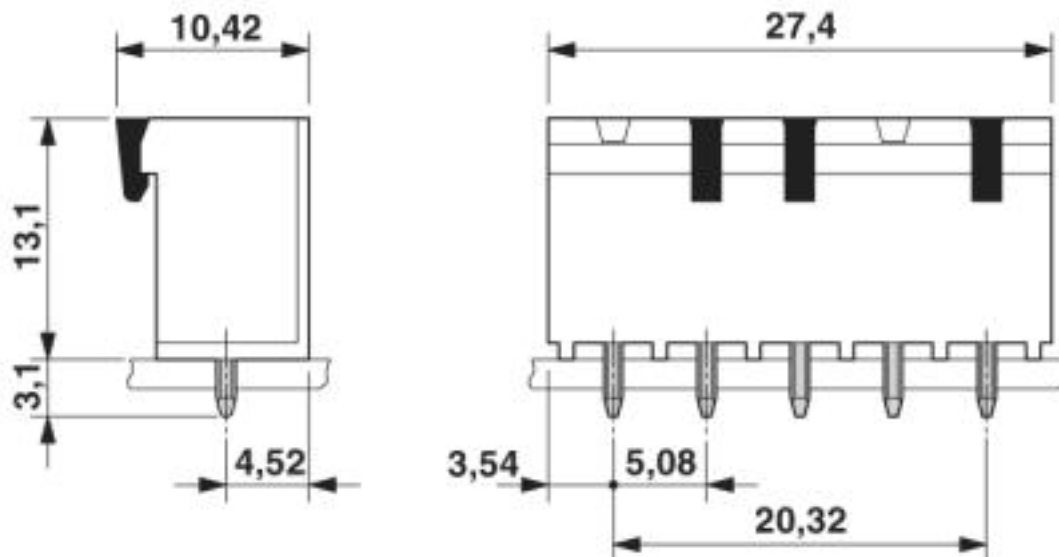
Drilling diagram



Drilling diagram

# Female insert - VS-MSTBVA 2,5/ 5-GB-5,08-BK-A - 1609565

Dimensional drawing



MSTB contact insert

## Classifications

eCl@ss

eCl@ss 10.0.1	27440217
eCl@ss 4.0	27260700
eCl@ss 4.1	27260700
eCl@ss 5.0	27260700
eCl@ss 5.1	27261200
eCl@ss 6.0	27261200
eCl@ss 7.0	27440207
eCl@ss 8.0	27440205
eCl@ss 9.0	27440217

ETIM

ETIM 3.0	EC000438
ETIM 4.0	EC000438
ETIM 5.0	EC000438
ETIM 6.0	EC000438
ETIM 7.0	EC000438

UNSPSC

UNSPSC 6.01	31261501
UNSPSC 7.0901	31261501
UNSPSC 11	31261501
UNSPSC 12.01	31261501

# Female insert - VS-MSTBVA 2,5/ 5-GB-5,08-BK-A - 1609565

## Classifications

### UNSPSC

UNSPSC 13.2	39121421
UNSPSC 18.0	39121421
UNSPSC 19.0	39121421
UNSPSC 20.0	39121421
UNSPSC 21.0	39121421

## Approvals

### Approvals

#### Approvals

EAC / cULus Recognized

#### Ex Approvals

### Approval details

EAC		B.01687
-----	--	---------

cULus Recognized		<a href="http://database.ul.com/cgi-bin/XYV/template/LISEXT/1FRAME/index.htm">http://database.ul.com/cgi-bin/XYV/template/LISEXT/1FRAME/index.htm</a>	E118976-20080903
Nominal voltage UN	24 V		
Nominal current IN	16 A		

## Accessories

### Accessories

#### Panel mounting frame

Panel mounting frames - VS-PPC-F2-MSTB-MNNA-1R-P - 1608087



MSTB panel mounting frame, IP67, for push-pull interlocking, metal, for PCB connection, for square panel cutout, with grommet, without mounting screws

## Female insert - VS-MSTBVA 2,5/ 5-GB-5,08-BK-A - 1609565

### Accessories

Panel mounting frames - VS-PPC-F2-MSTB-POBK-1R-P - 1608281



MSTB panel mounting frame, IP67, for push-pull interlocking, plastic, for PCB connection, for square panel cutout, with grommet, without mounting screws

---

Phoenix Contact 2020 © - all rights reserved  
<http://www.phoenixcontact.com>

PHOENIX CONTACT GmbH & Co. KG  
Flachsmarktstr. 8  
32825 Blomberg  
Germany  
Tel. +49 5235 300  
Fax +49 5235 3 41200  
<http://www.phoenixcontact.com>